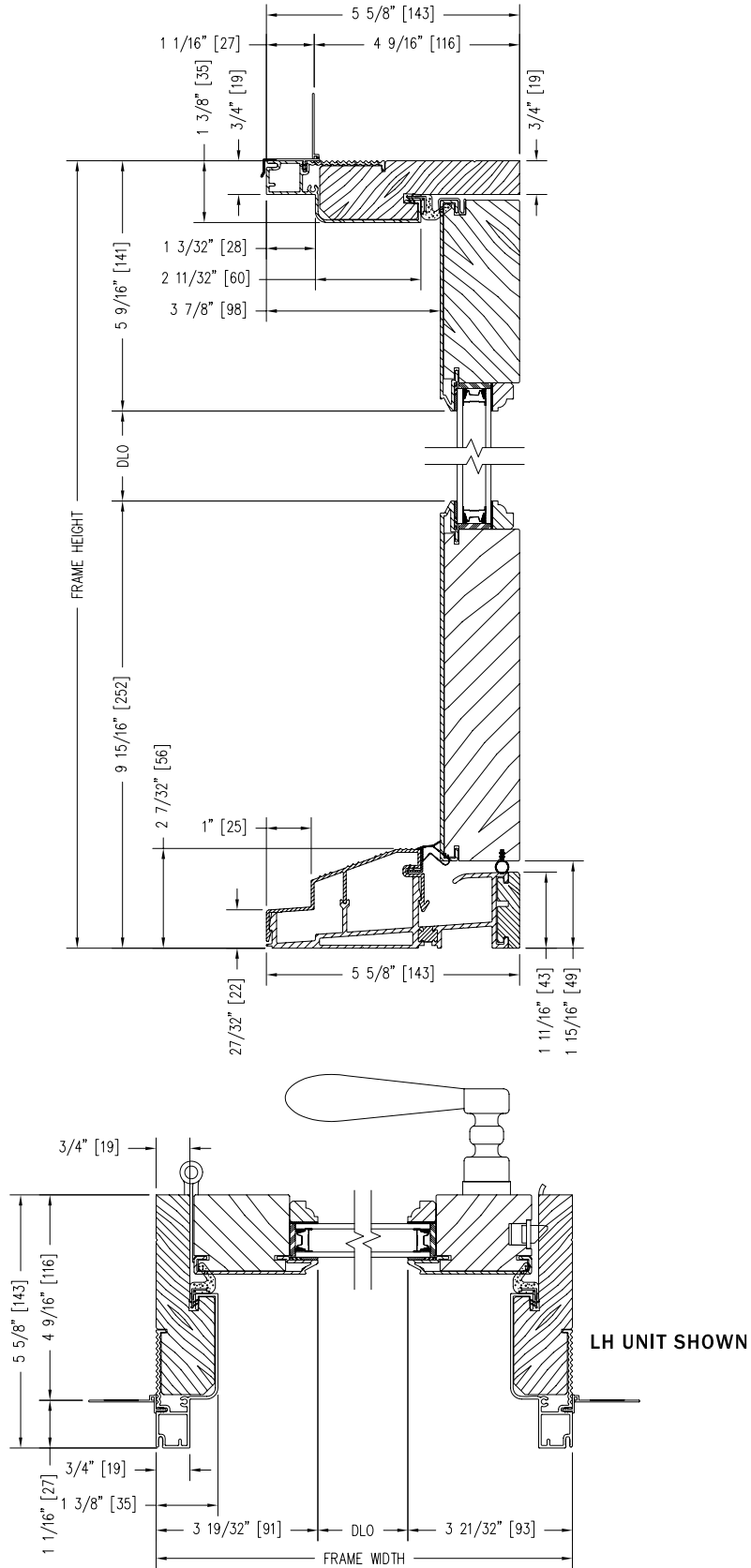


INSWING VENTING SIDELITE (4 9/16") SHOWN WITH SL1 PANEL



Notes:

Dynamically configure section details to your specific needs by going to EagleWindow.com, select Wintelligence.
Eagle Window & Door reserves the right to change the specifications without notice.

DRAWING # AD3027
SCALE: 3"-1'-0"
REVISION: 2/2/09

