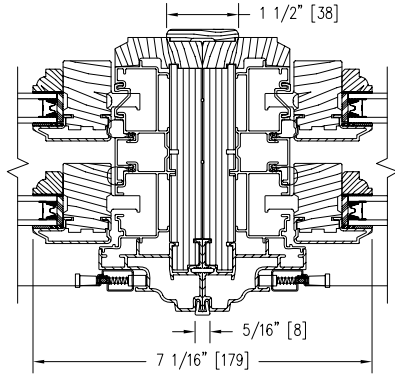
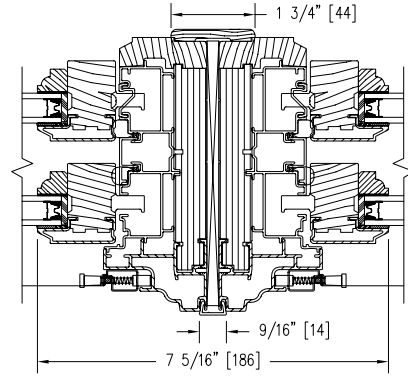


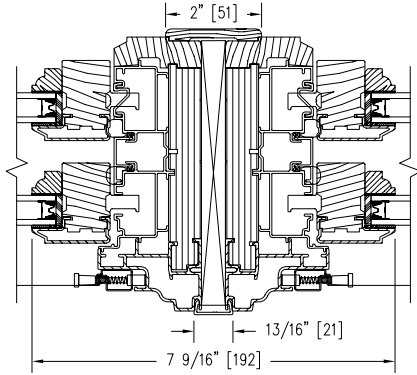
DOUBLE HUNG VERTICAL FACTORY MULLS



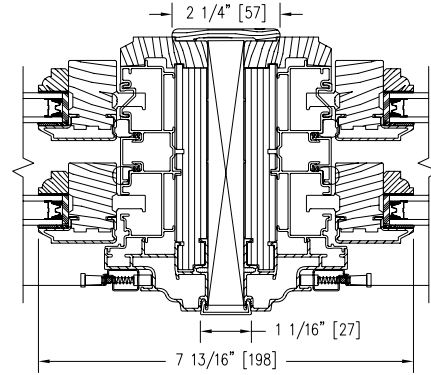
ZERO MULL



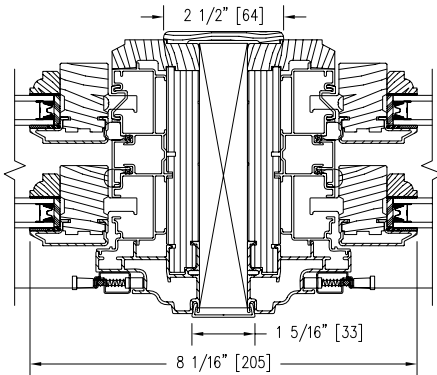
1/4" MULL



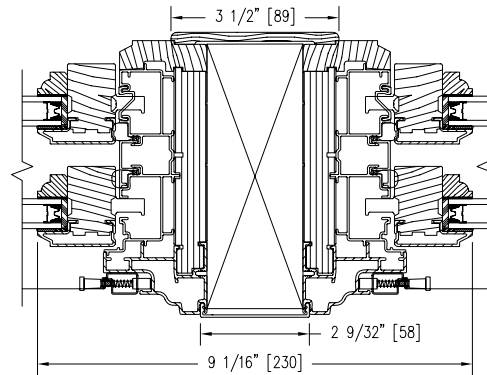
1/2" MULL



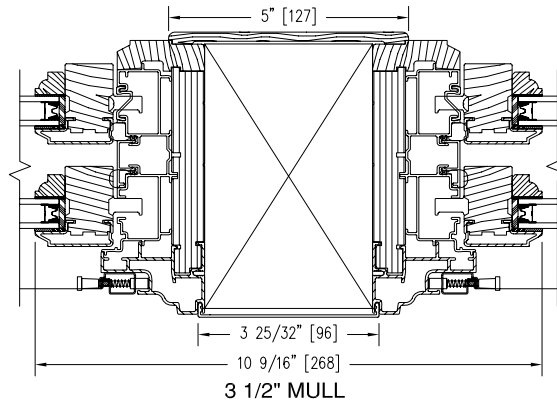
3/4" MULL



1" MULL



2" MULL



3 1/2" MULL

Notes:

Dynamically configure section details to your specific needs by going to EagleWindow.com, select Wintelligence. Eagle Window & Door reserves the right to change the specifications without notice.

DRAWING # AD3112
SCALE: 3"-1'-0"
REVISION: 2/2/09

