



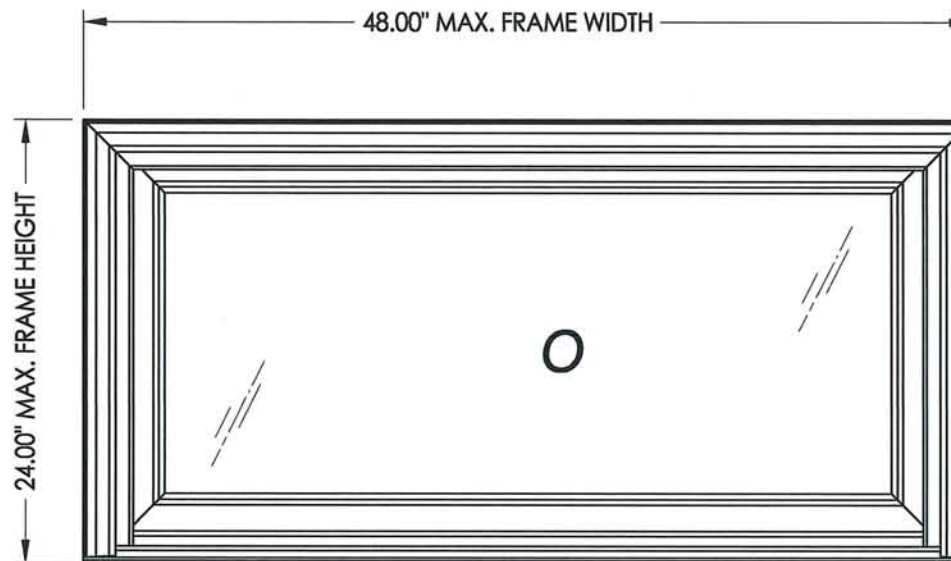
an Andersen Company
 2045 Kerper Blvd., Dubuque, IA 52004-1072
 PH. 563.556.2270

SERIES T-7 CLAD TALON DOUBLE HUNG FIXED TRANSOM - HARBOR MASTER "IMPACT"

GENERAL NOTES

1. This product has been evaluated and is in compliance with the 2007 Florida Building Code (FBC) structural requirements excluding the "High Velocity Hurricane Zone" (HVHZ).
2. Product anchors shall be as listed and spaced as shown on details. Anchor embedment to base material shall be beyond wall dressing or stucco.
3. When used in areas requiring wind borne debris protection this product complies with Section 1609.1.2 of the FBC and does not require an impact resistant covering. This product meets missile level "D" and includes Wind Zone 4 as defined in ASTM E1996.
4. For 2x stud construction, the length of the anchors shall be increased an amount equal to the thickness of any sheathing or wall coverings such that penetration of the anchor into the stud shall be no less than that shown in the masonry 2x buck installation herein.
5. Site conditions that deviate from the details of this drawing require further engineering analysis by a licensed engineer or registered architect.

TABLE OF CONTENTS	
SHEET #	DESCRIPTION
1	Typical elevations, design pressures & general notes
2	Horizontal & Vertical cross sections
3	Buck and frame anchoring
4	Components
5	Bill of materials & glazing details



OVERALL FRAME DIMENSION	OVERALL D.L.O. DIMENSION	GLASS TYPE	DESIGN PRESSURE (PSF)	
			POS.	NEG.
48.00" X 24.00"	40.93" X 17.81"	G1 / G2	+55.0	-65.0

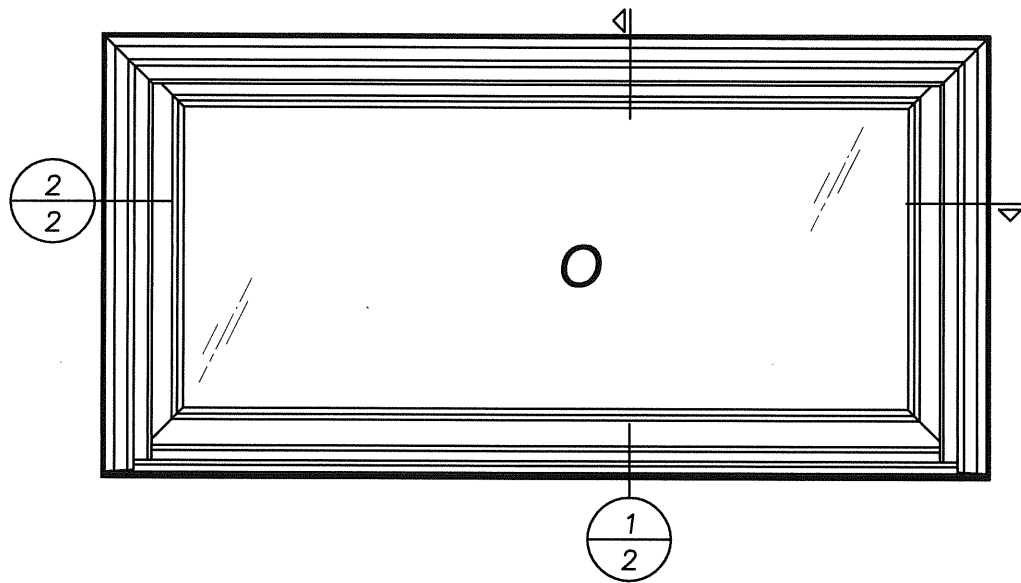
Documents Prepared By:

RW BUILDING CONSULTANTS, INC.
 P.O. Box 230 Valrico FL 33595
 Phone No.: 813.659.9197
 Florida Board of Professional Engineers
 Certificate Of Authorization No. 9813
Wendell W. Hapley 9-3-08
 Wendell W. Hapley, P.E. No. 54158

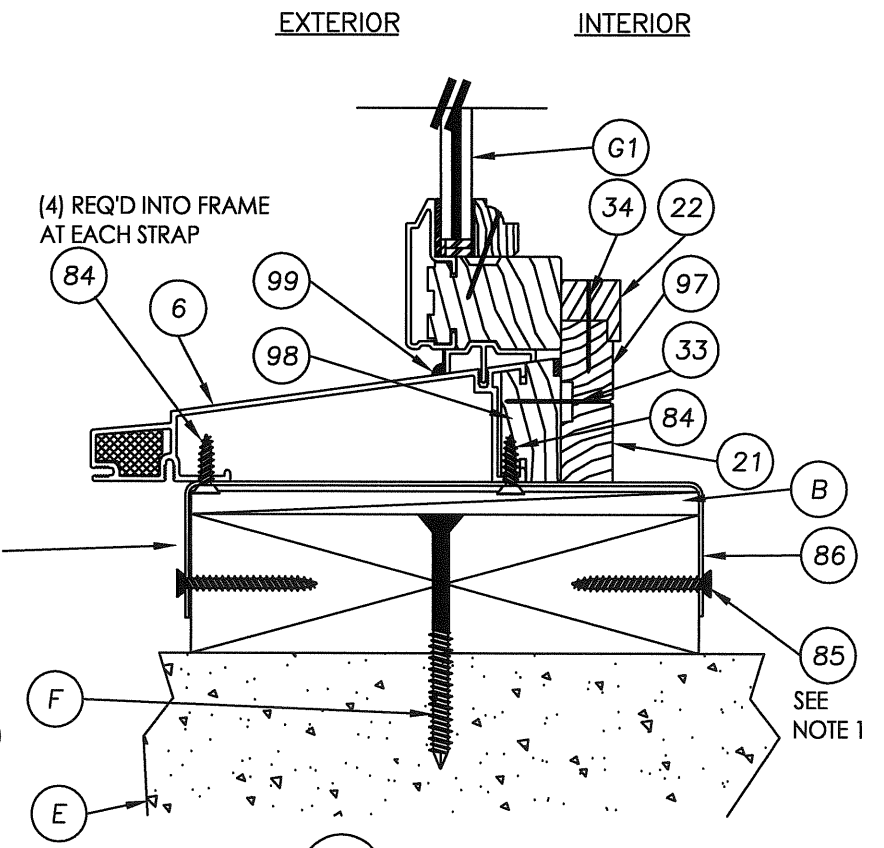
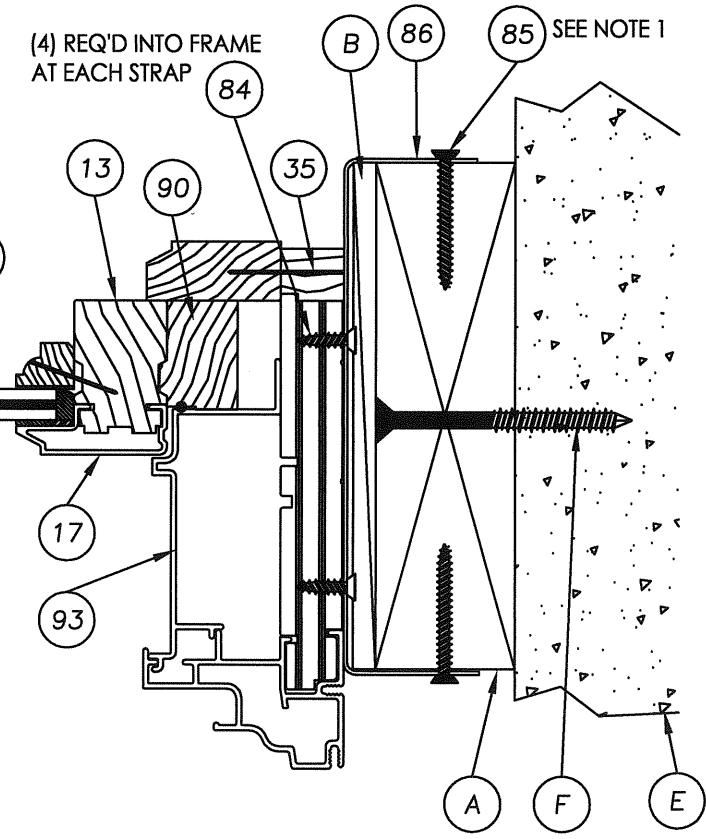
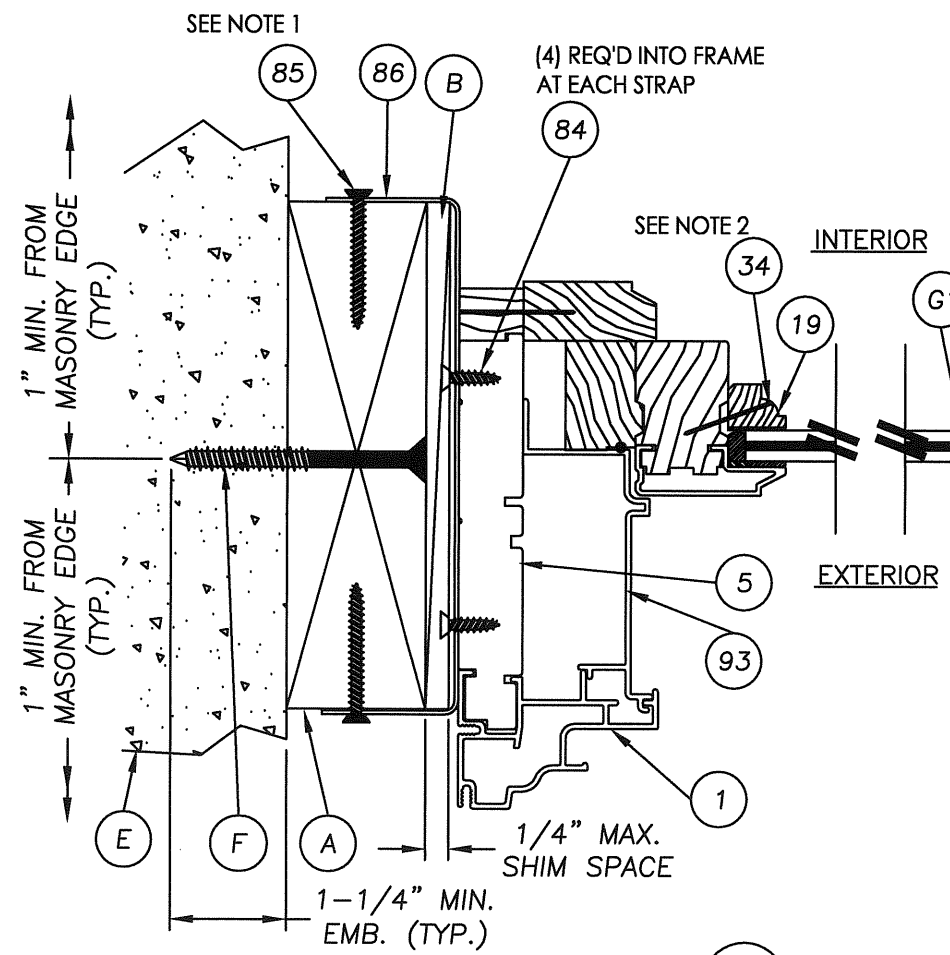
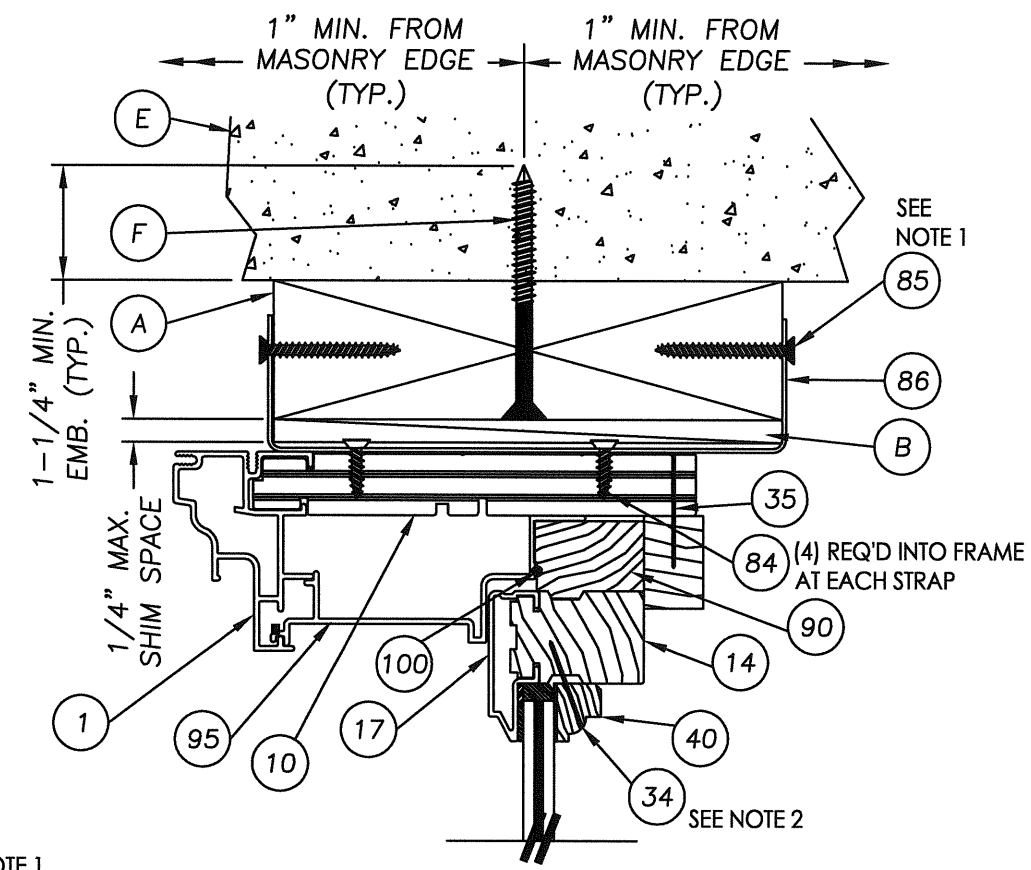
PRODUCT: DOUBLE HUNG TRANSOM
 PART OR ASSEMBLY: TYPICAL ELEVATION, DESIGN PRESSURES & GENERAL NOTES

NO.	DATE	BY	REVISIONS
2	5/20/08	JK	Revise to 2007 FBC
1	12/21/07	WH	ADD GRADE OF WOOD

DATE: 05/22/08
 SCALE: N.T.S.
 DWG. BY: JK
 CHK. BY: WWH
 DRAWING NO.: FL-9669.3
 SHEET 1 OF 5



- NOTES:**
1. For 2x stud construction, the length of the anchors shall be increased an amount equal to the thickness of any sheathing or wall coverings such that penetration of the anchor into the stud shall be no less than that shown in the masonry 2x buck installation herein.
 2. 1" BRAD NAIL 6" TO 8" ON CENTER.



2 HORIZONTAL CROSS SECTION

1 VERTICAL CROSS SECTION

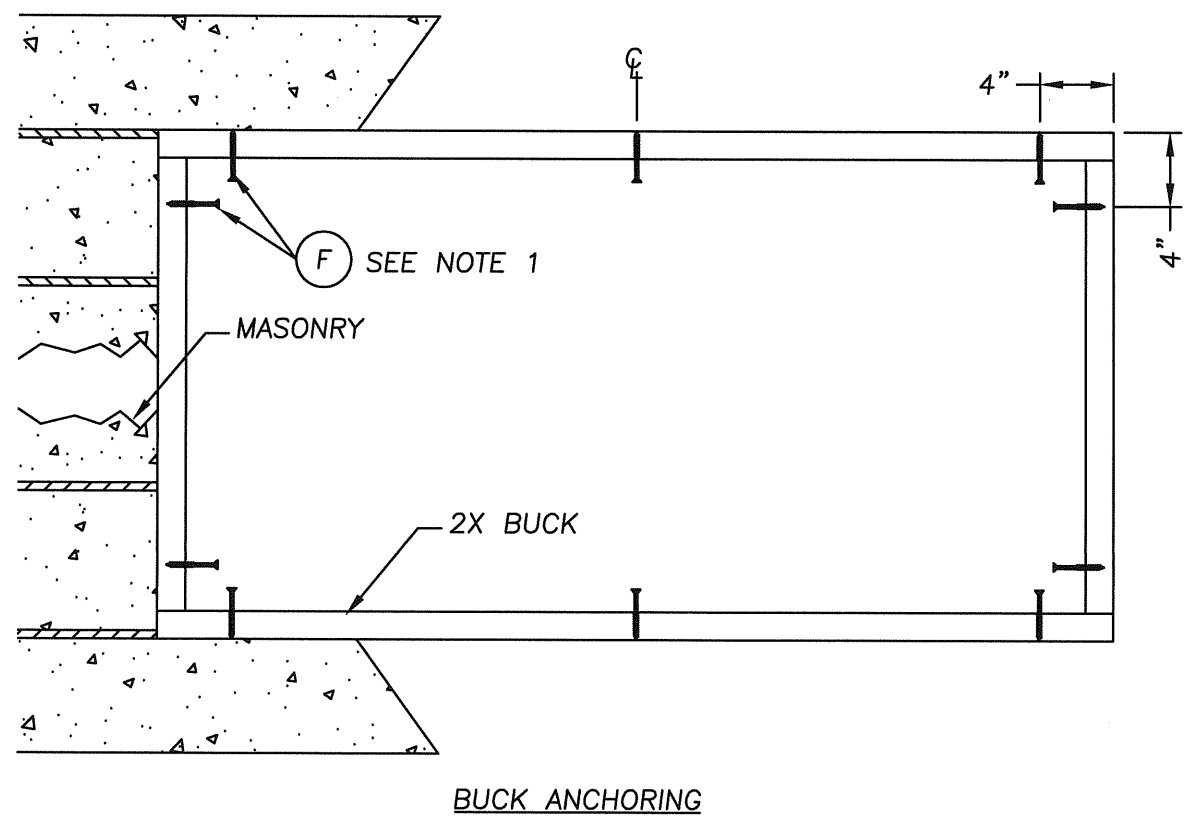
Documents Prepared By: **RW BUILDING CONSULTANTS, INC.**
 P.O. Box 230 Valrico FL, 33595
 Phone No.: 813.659.9197
 Florida Board of Professional Engineers
 Certificate Of Authorization No. 9813
 Wendell W. Highty, P.E. No. 54158

DATE: 05/22/08
 SCALE: N.T.S.
 DWG. BY: JK
 CHK. BY: WWH
 DRAWING NO.: FL-9669.3
 SHEET 2 OF 5

PRODUCT: DOUBLE HUNG TRANSOM
 PART OR ASSEMBLY: VERTICAL & HORIZONTAL CROSS SECTIONS

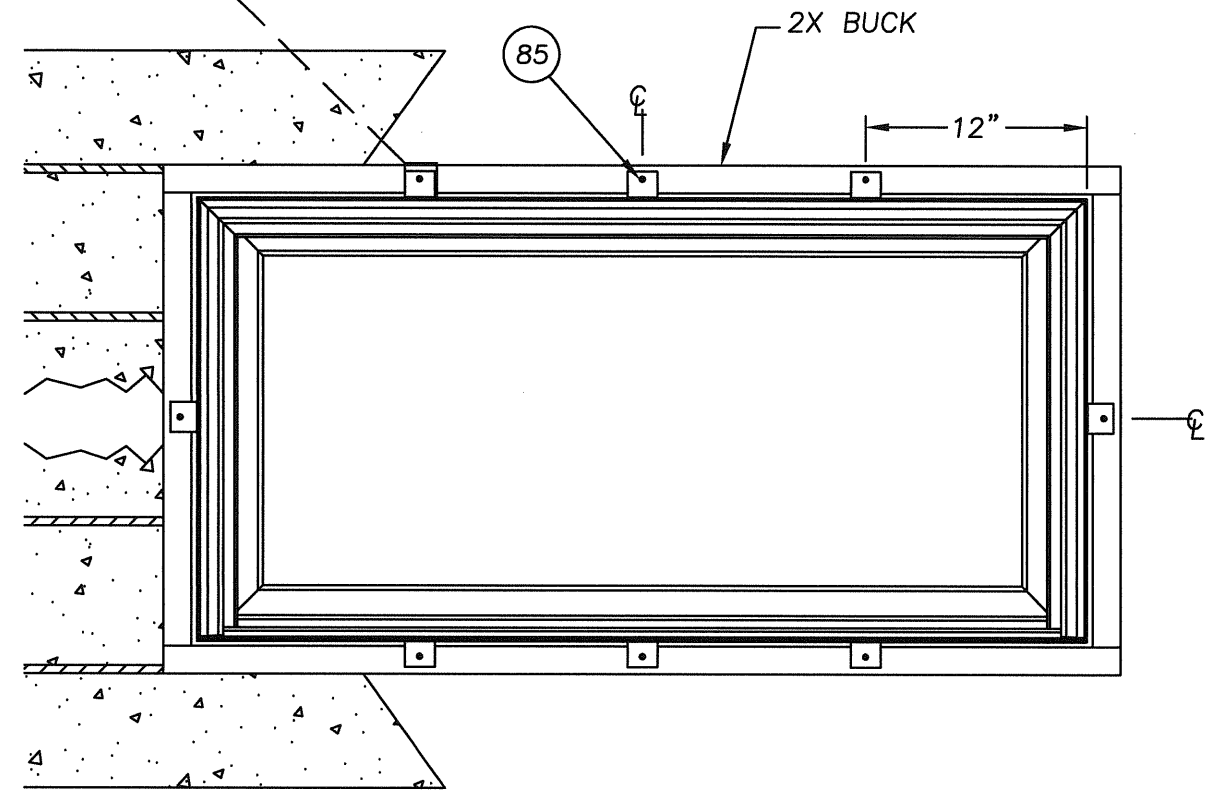
NO.	DATE	REVISIONS
2	5/20/08	Revise to 2007 FBC
1	12/21/07	ADD GRADE OF WOOD

R:\A - Projects\Project Folders\Proj 1201-1300\pf 1294\pf 1294A\DWG 1294A\DWG 1294A.D. RWBC Drawings\FL-9669 REV2\FL-9669.3-REV 2.dwg, FL-9669.3-3



BUCK ANCHORING

#8 x 1-1/2" FLAT HEAD S.M.S.
(4) REQ'D INTO BUCK, TWO EACH
SIDE FOR DP<55 PSF.



FRAME ANCHORING

NOTES:

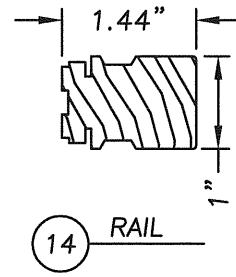
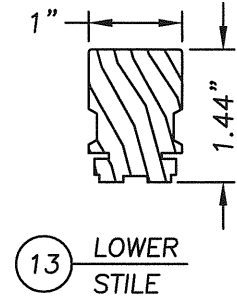
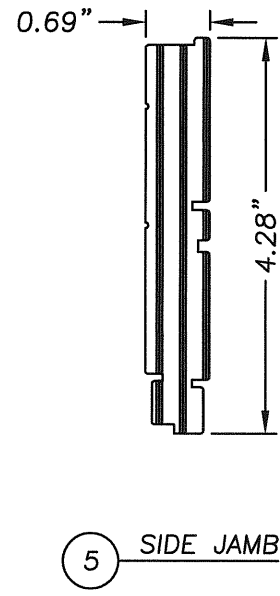
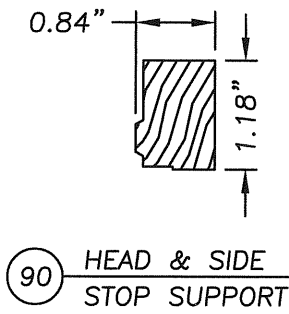
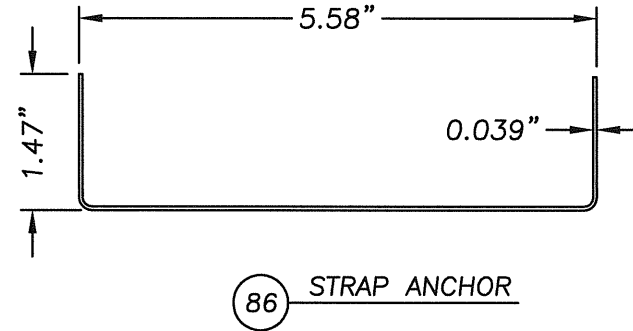
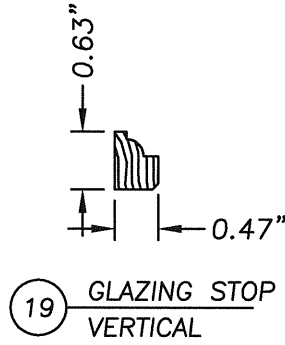
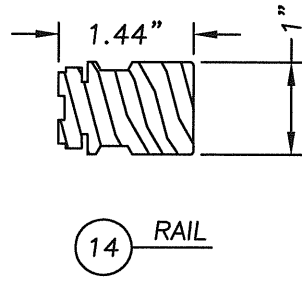
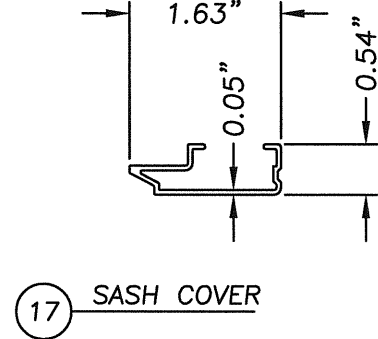
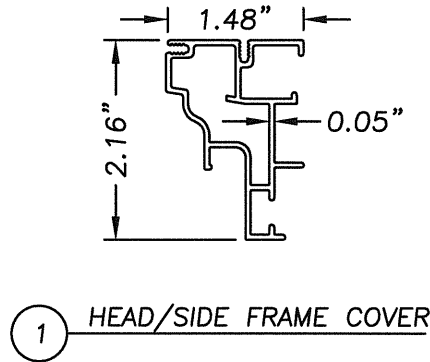
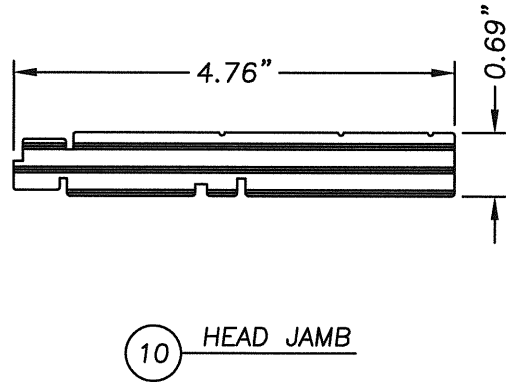
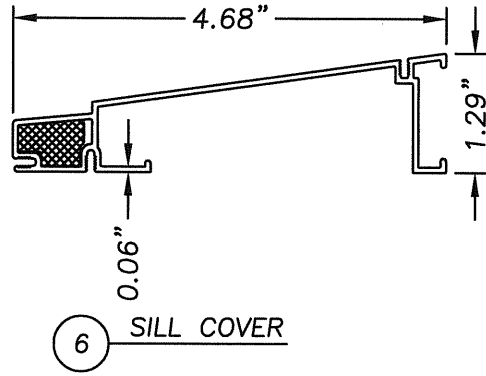
1. 1/4" Elco Concrete screws anchoring 2x buck require a minimum 1" clearance to masonry edges, a 1-1/4" minimum embedment and a minimum 4" clearance to adjacent concrete screws. Substitution of equal concrete screws from a different supplier may have different edge distance and center distance requirements. Concrete screw locations at the corners may be adjusted to maintain the minimum edge distance to mortar joints. If Concrete screw locations noted as "MAX. ON CENTER" must be adjusted to maintain the minimum edge distance to mortar joints, additional Concrete screws may be required to ensure the maximum on center dimension is not exceeded.

Documents Prepared By:
RW BUILDING CONSULTANTS, INC.
 P.O. Box 230 Valrico FL 33595
 Phone No.: 813.659.9197
 Florida Board of Professional Engineers
 Certificate Of Authorization No. 9813
Wendell W. Haney 9-3-08
 Wendell W. Haney, P.E. No. 54158

PRODUCT:	DOUBLE HUNG TRANSOM	
PART OR ASSEMBLY:	BUCK & FRAME ANCHORING	
NO.	DATE	REVISIONS
2	5/20/08	Revise to 2007 FBC
1	12/21/07	ADD GRADE OF WOOD
		JK
		WH
		BY

DATE: 05/22/08
 SCALE: N.T.S.
 DWG. BY: JK
 CHK. BY: WWH
 DRAWING NO.: FL-9669.3
 SHEET 3 OF 5

© 2008 R.W. BUILDING CONSULTANTS INC.



Documents Prepared By:
RW BUILDING CONSULTANTS, INC.
 P.O. Box 230 Valrico FL 33595
 Phone No.: 813.659.9197
 Florida Board of Professional Engineers
 Certificate Of Authorization No. 9813
Wendell W. Hanesy 4-3-08
 Wendell W. Hanesy, P.E. No. 54158

PRODUCT:		DOUBLE HUNG TRANSOM	
PART OR ASSEMBLY:		COMPONENTS	
		JK	WH
2	5/20/08	Revise to 2007 FBC	
1	12/21/07	ADD GRADE OF WOOD	
NO.	DATE		BY
			REVISIONS

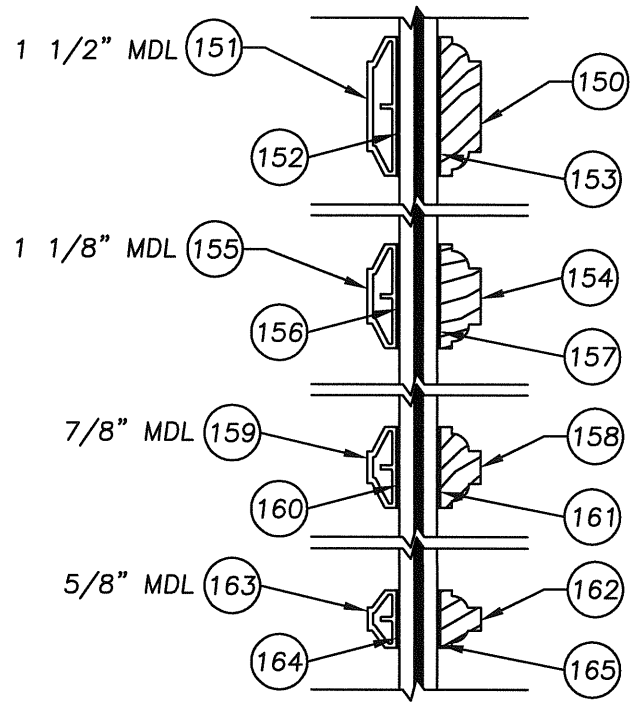
DATE: 05/22/08
 SCALE: N.T.S.
 DWG. BY: JK
 CHK. BY: WWH
 DRAWING NO.: FL-9669.3
 SHEET 4 OF 5

© 2008 R.W. BUILDING CONSULTANTS INC.

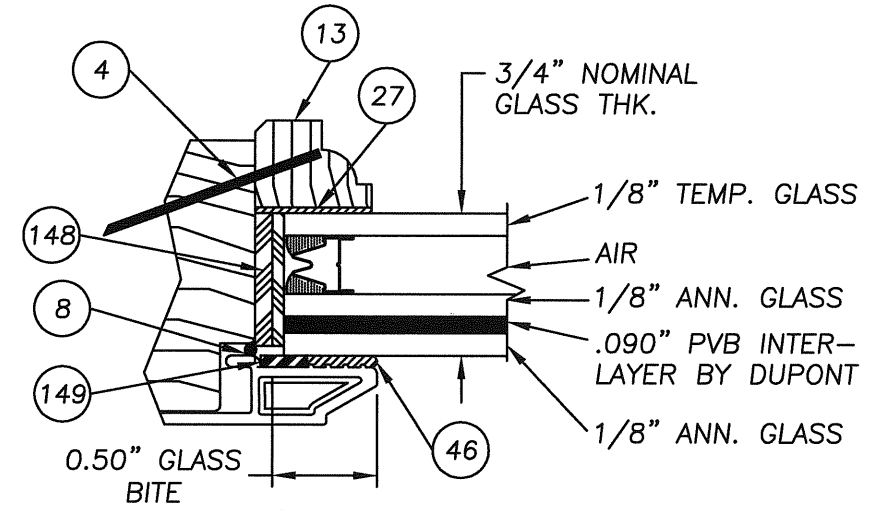
R:\A - Projects\Project Folders\Proj 1201-1300\pf 1294\PF 1294A\D. RWBC Drawings\FL-9669 REV2\FL-9669.3-REV 2.dwg, FL-9669.3-5

1

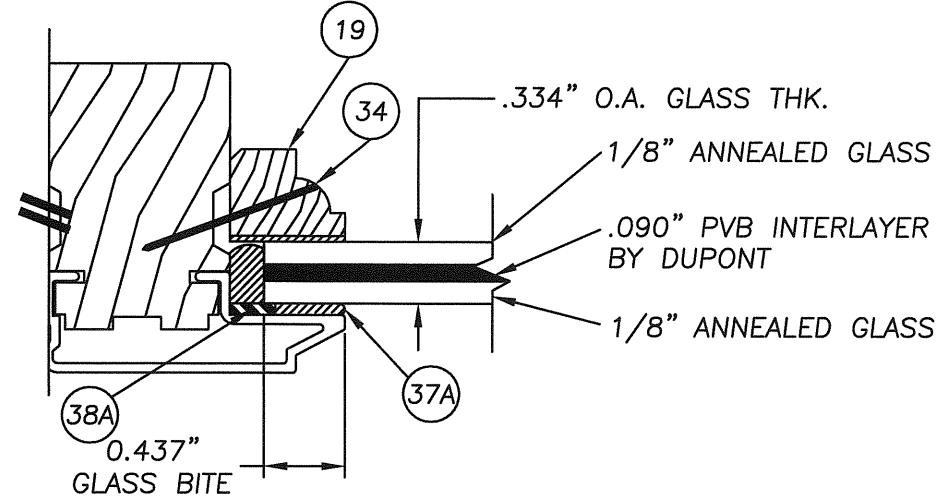
BILL OF MATERIALS		
ITEM	DESCRIPTION	MATERIAL
A	2X BUCK SG _≥ .55	WOOD
B	1/4" MAX. SHIM SPACE	WOOD
E	MASONRY - 3,192 PSI MIN. CONCRETE CONFORMING TO ACI 301 OR HOLLOW BLOCK CONFORMING TO ASTM C90	CONCRETE
F	1/4" x 2-3/4" ELCO TAPCON	STEEL
1	HEAD / SIDE FRAME COVER (6063-T6 ALUM.)	ALUMINUM
5	SIDE JAMB (SG _≥ 0.51)	LVL
6	SILL COVER (HOLLOW NOSE) (6063-T6 ALUM.)	ALUMINUM
10	HEAD JAMB (SG _≥ 0.51)	LVL
13	LOWER STILE (CLEAR PINE SG _≥ 0.42)	WOOD
14	RAIL (CLEAR PINE SG _≥ 0.42)	WOOD
17	SASH COVER (6063-T6 ALUM.)	ALUMINUM
19	GLAZING STOP (VERT.) (SG _≥ 0.42)	WOOD
21	SILL STOP (SG _≥ 0.42)	WOOD
22	SILL STOOL (SG _≥ 0.42)	WOOD
33	3/16" X 1-1/8" STAPLES	STEEL
34	1" WIRE BRADS	STEEL
35	18ga 1-1/4" BRAD NAIL	STEEL
37A	INSTANTGLAZE II GLAZING COMPOUND	POLYURETHANE
38A	GLAZING SHIM	NEOPRENE
40	GLASS STOP (HORZ.) (SG _≥ 0.42)	WOOD
84	#8 X 5/8" PFH SMS	STEEL
85	#8 X 1-1/2" PFH SMS	STEEL
86	STRAP ANCHOR 1.625" X 8.5" X 0.039" THK.	STEEL
90	CDHF HEAD & SIDE STOP SUPPORT (SG _≥ 0.42)	WOOD
93	CDHF SIDE STOP EXTRUSION	ALUMINUM
95	CDHF HEAD STOP EXTRUSION	ALUMINUM
97	SILL STOP (SG _≥ 0.42)	WOOD
98	THERMAL BLOCK (SG _≥ 0.42)	WOOD
99	SEALANT	SILICONE
100	SASH SEALANT	POLYISOBUTYLENE
150	1-1/2" INTERIOR COLONIAL MDL BAR	WOOD
151	1-1/2" EXTERIOR MDL BAR (6063 T-6)	ALUMINUM
152	1-1/2" MDL ADHESIVE TAPE (EXTERIOR TAPE)	POLYETHYLENE
153	1-1/2" MDL ADHESIVE TAPE (INTERIOR TAPE)	POLYETHYLENE
154	1-1/8" INTERIOR COLONIAL MDL BAR	WOOD
155	1-1/8" EXTERIOR MDL BAR (6063 T-6)	ALUMINUM
156	1-1/8" MDL ADHESIVE TAPE (EXTERIOR TAPE)	POLYETHYLENE
157	1-1/8" MDL ADHESIVE TAPE (INTERIOR TAPE)	POLYETHYLENE
158	7/8" INTERIOR COLONIAL MDL BAR	WOOD
159	7/8" EXTERIOR MDL BAR (6063 T-6)	ALUMINUM
160	7/8" MDL ADHESIVE TAPE (EXTERIOR TAPE)	POLYETHYLENE
161	7/8" MDL ADHESIVE TAPE (INTERIOR TAPE)	POLYETHYLENE
162	5/8" INTERIOR COLONIAL MDL BAR	WOOD
163	5/8" EXTERIOR MDL BAR (6063 T-6)	ALUMINUM
164	5/8" MDL ADHESIVE TAPE (EXTERIOR TAPE)	POLYETHYLENE
165	5/8" MDL ADHESIVE TAPE (INTERIOR TAPE)	POLYETHYLENE



OPTIONAL MUNTIN BAR ATTACHMENT TO GLASS



G2 GLAZING DETAIL



G1 GLAZING DETAIL

Documents Prepared By: **RW** BUILDING CONSULTANTS, INC.
P.O. Box 230 Valrico FL 33595
Phone No.: 813.659.9197
Florida Board of Professional Engineers
Certificate Of Authorization No. 9813
Wendell W. Haney 9-3-08
Wendell W. Haney, P.E. No. 54158

PRODUCT: DOUBLE HUNG TRANSONM
PART OR ASSEMBLY: BILL OF MATERIALS & GLAZING DETAILS

			JK	WH	BY
		Revise to 2007 FBC			
	2	5/20/08			
	1	12/21/07			
		ADD GRADE OF WOOD			
		NO. DATE			
					REVISIONS

DATE: 05/22/08
SCALE: N.T.S.
DWG. BY: JK
CHK. BY: WWH
DRAWING NO.: FL-9669.3
SHEET 5 OF 5

© 2008 R.W. BUILDING CONSULTANTS INC.