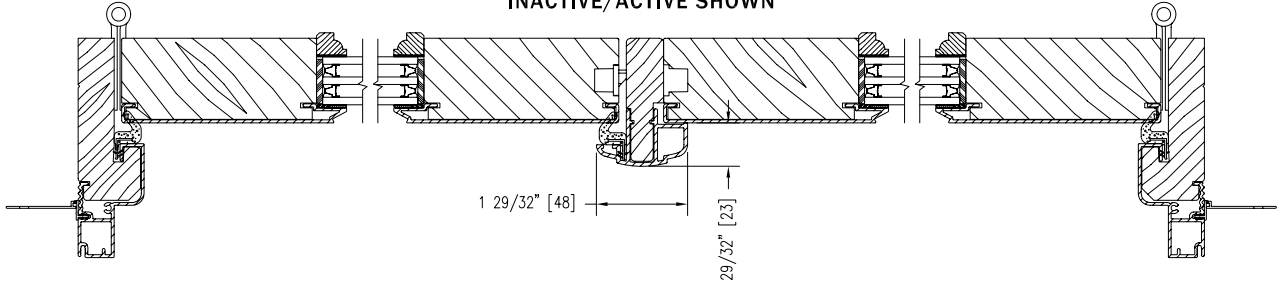
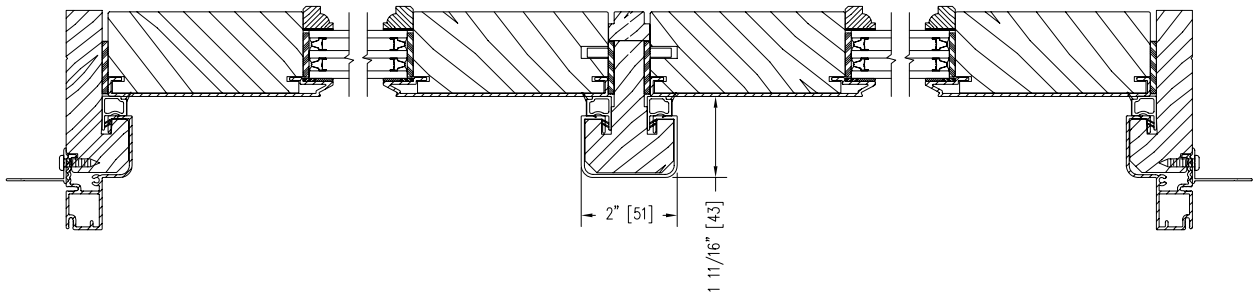


**TRIPLE INSULATED GLASS
IN SWING FRENCH DOOR (3 1/2")
ASTRAGAL & POST OPTIONS
SP1/SP2 PANEL SHOWN**

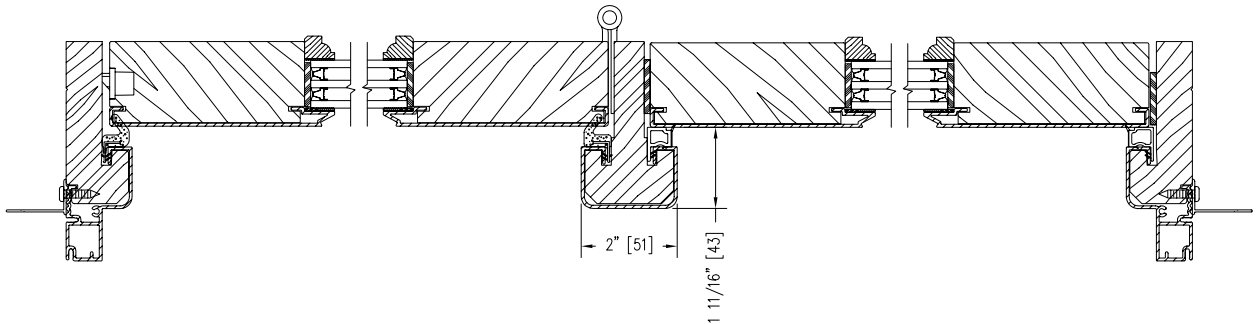
**DOUBLE DOOR
INACTIVE/ACTIVE SHOWN**



STATIONARY/STATIONARY DOOR



3 1/2\"/>



Notes:

Dynamically configure section details to your specific needs by going to EagleWindow.com, select Wintelligence. Eagle Window & Door reserves the right to change the specifications without notice.

DRAWING # AD3164
SCALE: 3"-1'-0"
REVISION: 4/14/09

