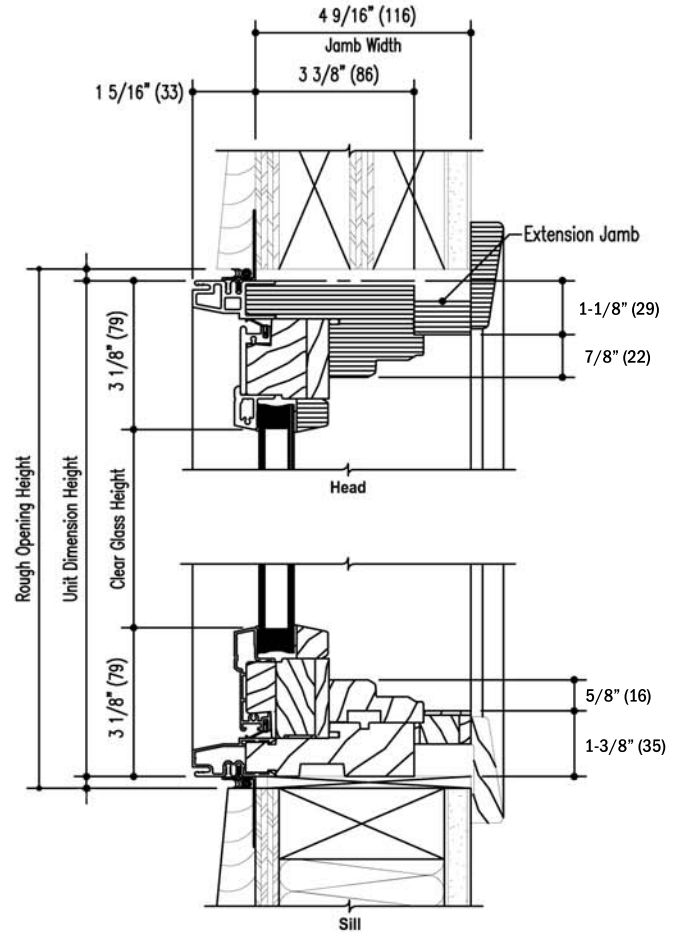
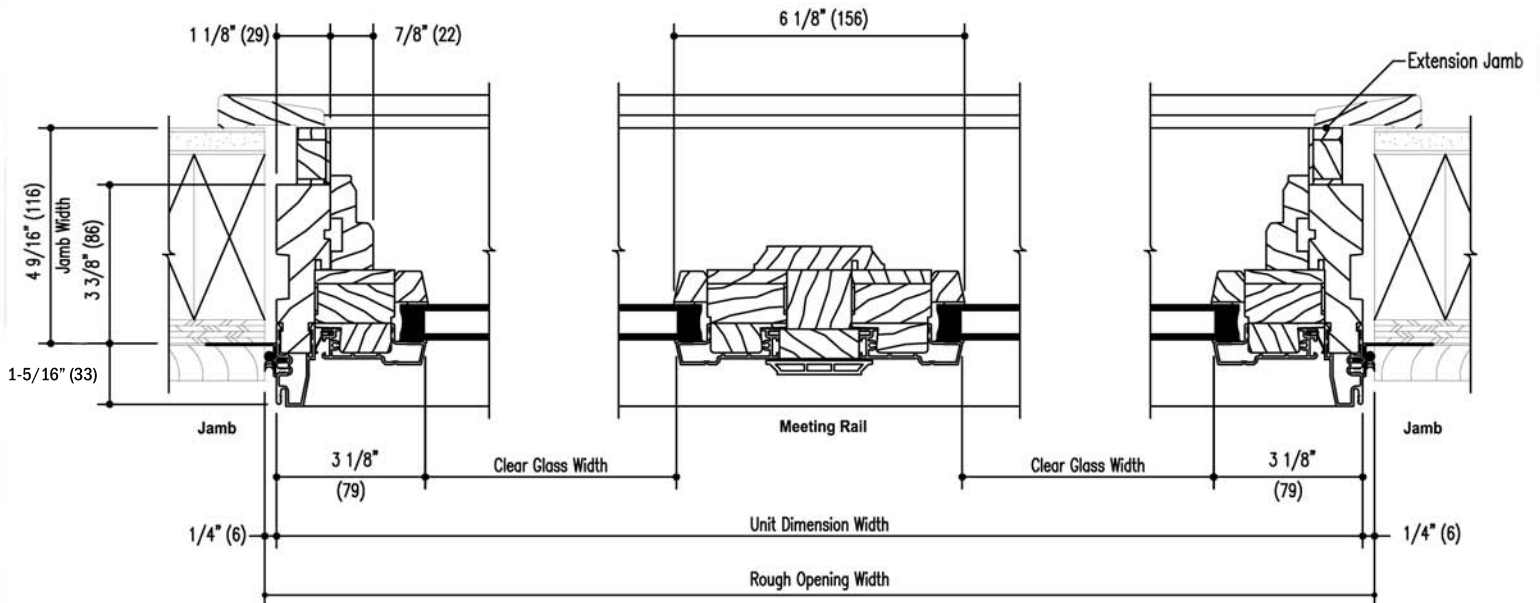


Vertical Section



Vertical Section



Horizontal Section

NOTES

Dimensions in parentheses are millimeters.
Drawings are not to scale.