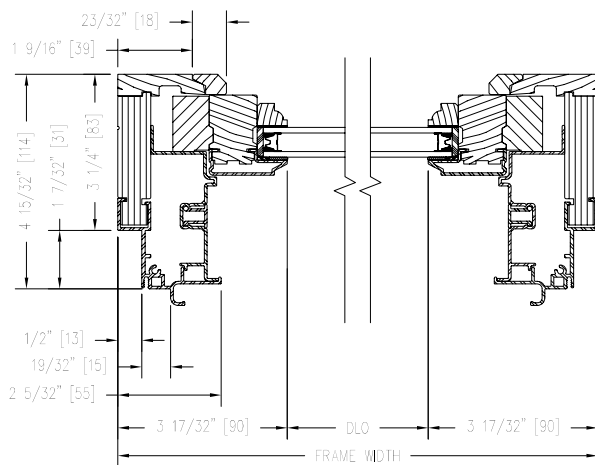
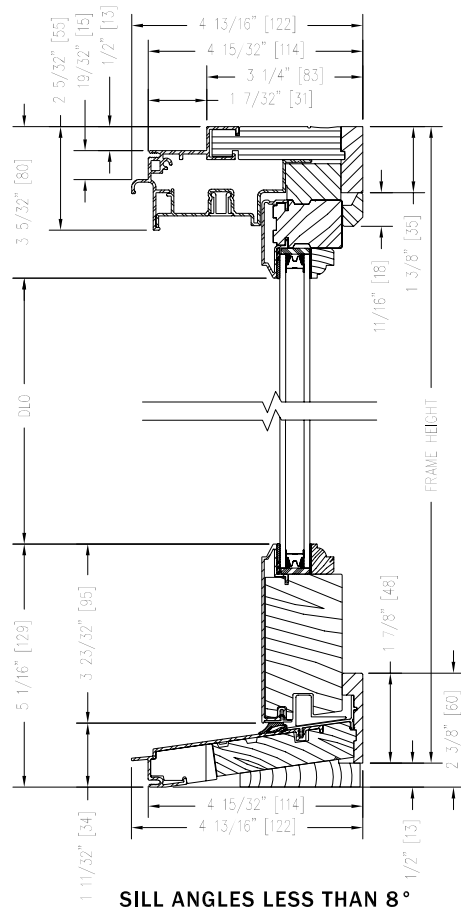
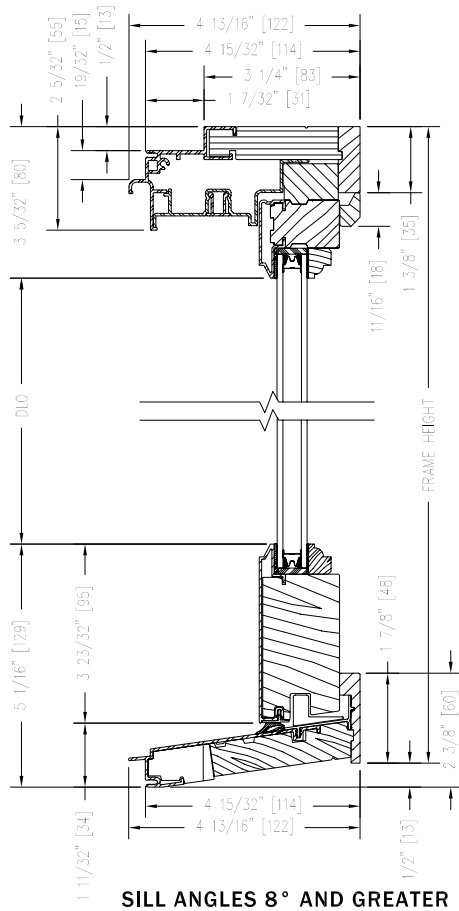


DOUBLE HUNG RETRO-FIT PICTURE



Notes:

Dynamically configure section details to your specific needs by going to EagleWindow.com, select Wintelligence. Eagle Window & Door reserves the right to change the specifications without notice.

DRAWING # AD3200
SCALE: 3"-1'-0"
REVISION: 1/19/11

