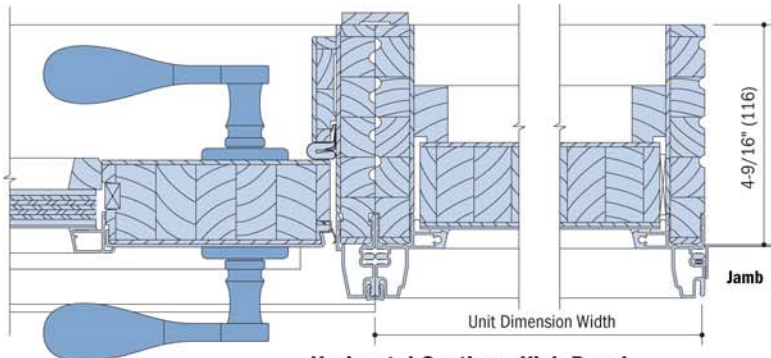
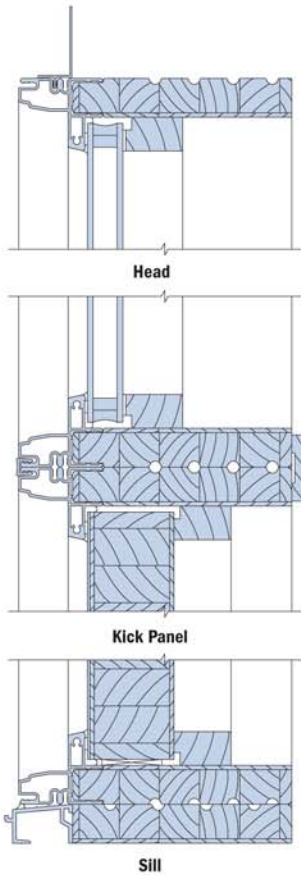


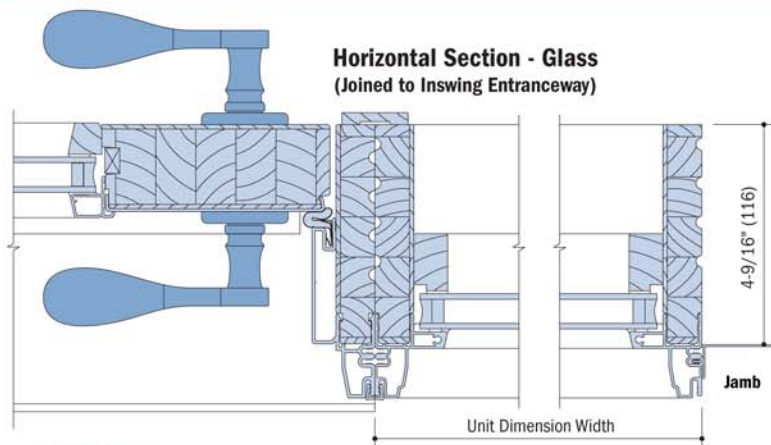
Horizontal Section - Glass
(Joined to Outswing Entranceway)



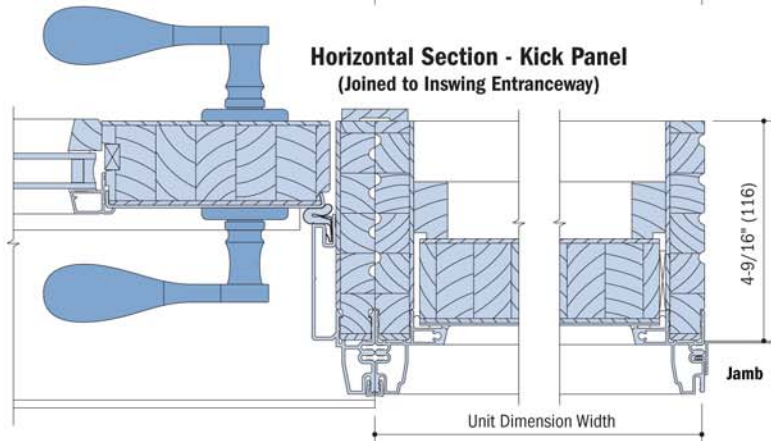
Horizontal Section - Kick Panel
(Joined to Outswing Entranceway)



Vertical Section



Horizontal Section - Glass
(Joined to Inswing Entranceway)



Horizontal Section - Kick Panel
(Joined to Inswing Entranceway)

NOTES

Dimensions in parenthesis are millimeters.
Drawings are not to scale.