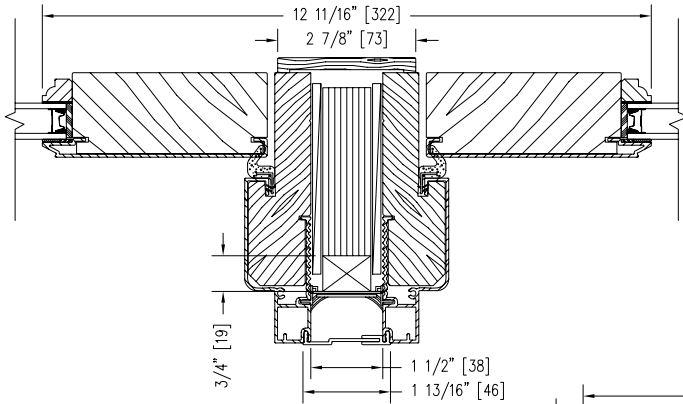
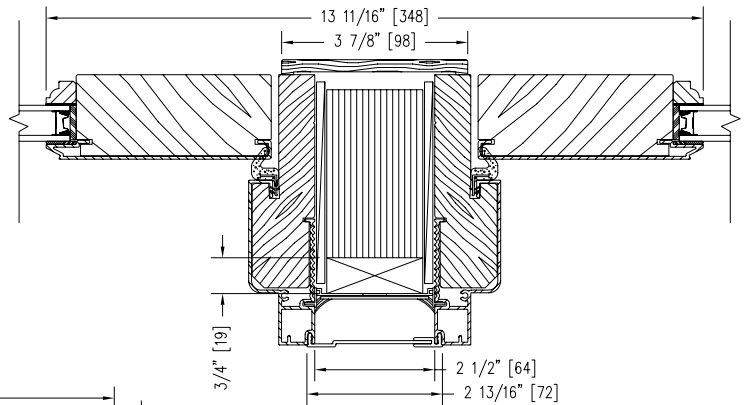


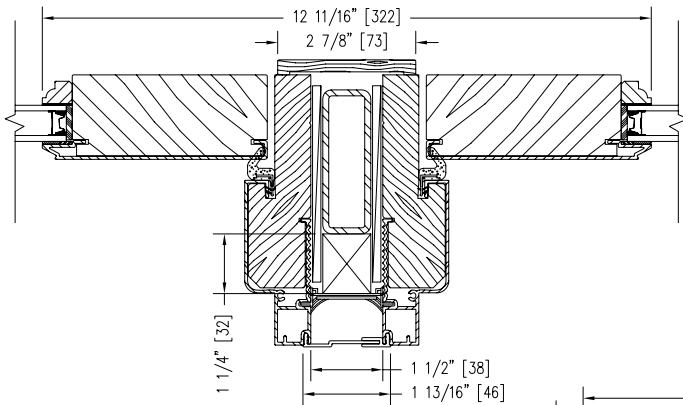
4 9/16" INSWING FRENCH DOOR REINFORCED VERTICAL FIELD MULLS



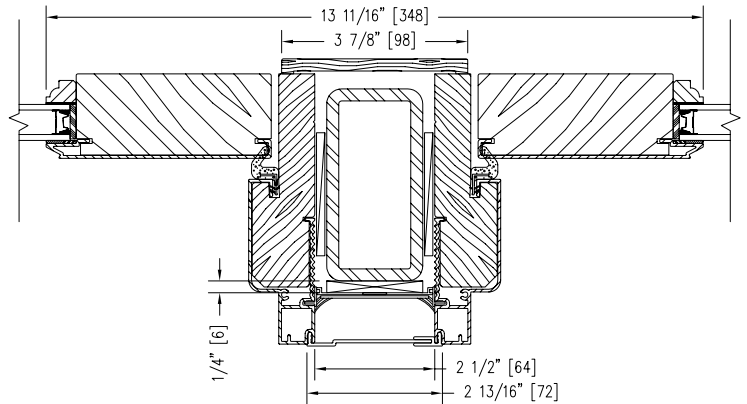
1" x 3 1/2" LVL MULL



2" x 3 1/2" LVL MULL



1" x 3" TUBE STEEL MULL



2" x 4" TUBE STEEL MULL

Notes:

Dynamically configure section details to your specific needs by going to EagleWindow.com, select Wintelligence. Eagle Window & Door reserves the right to change the specifications without notice.

DRAWING # AD3129
SCALE: 3"-1'-0"
REVISION: 2/2/09

