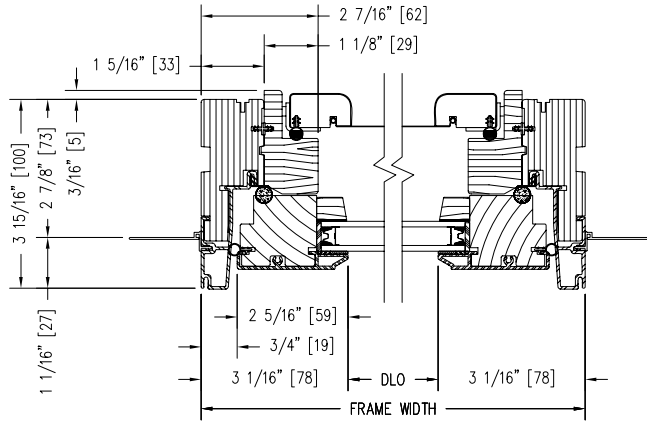
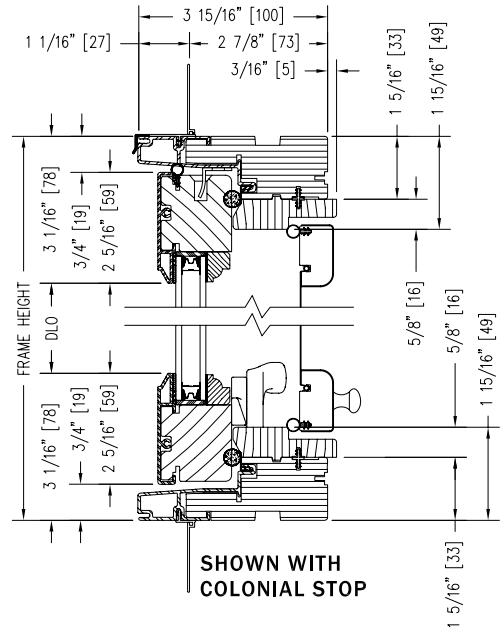
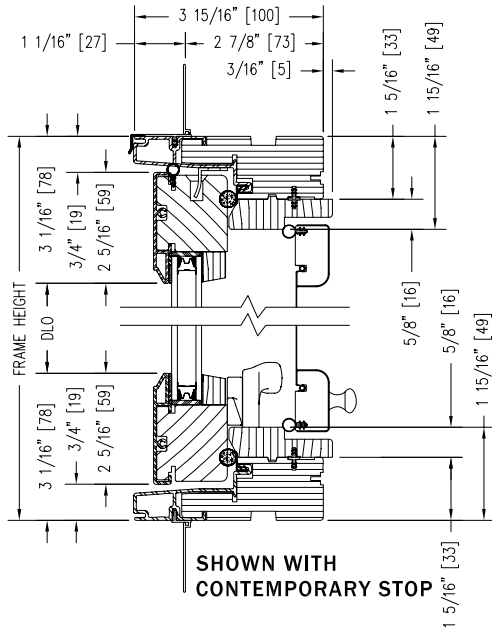


PUSH OUT AWNING



Notes:

Dynamically configure section details to your specific needs by going to EagleWindow.com, select Wintelligence. Eagle Window & Door reserves the right to change the specifications without notice.

DRAWING # AD3202
 SCALE: 3"-1'-0"
 REVISION: 1/22/10

