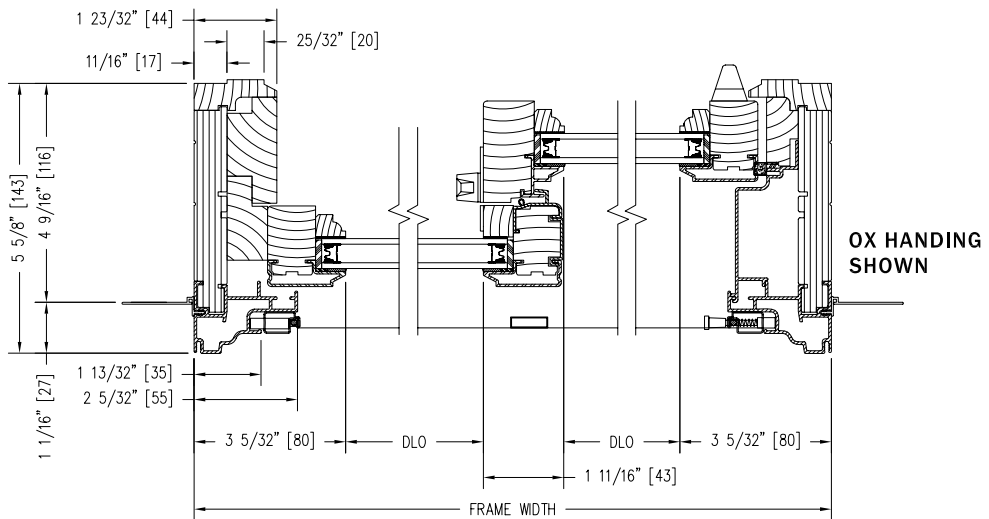
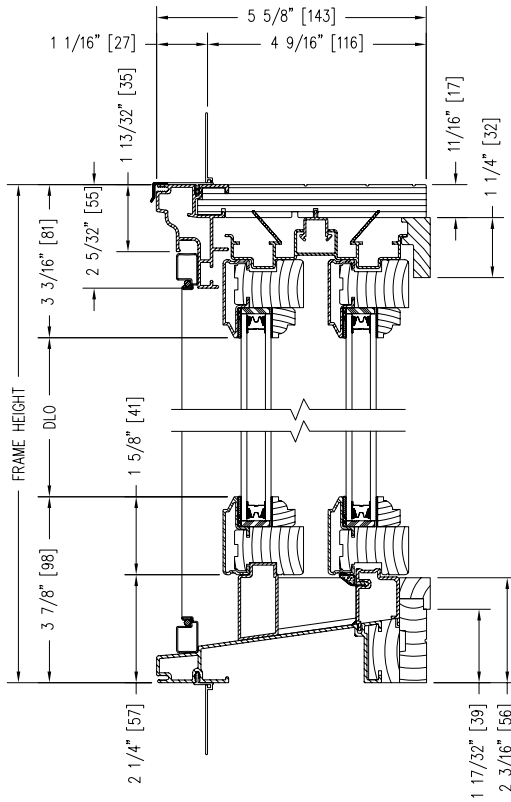


# SLIDE-BY (DOUBLE)



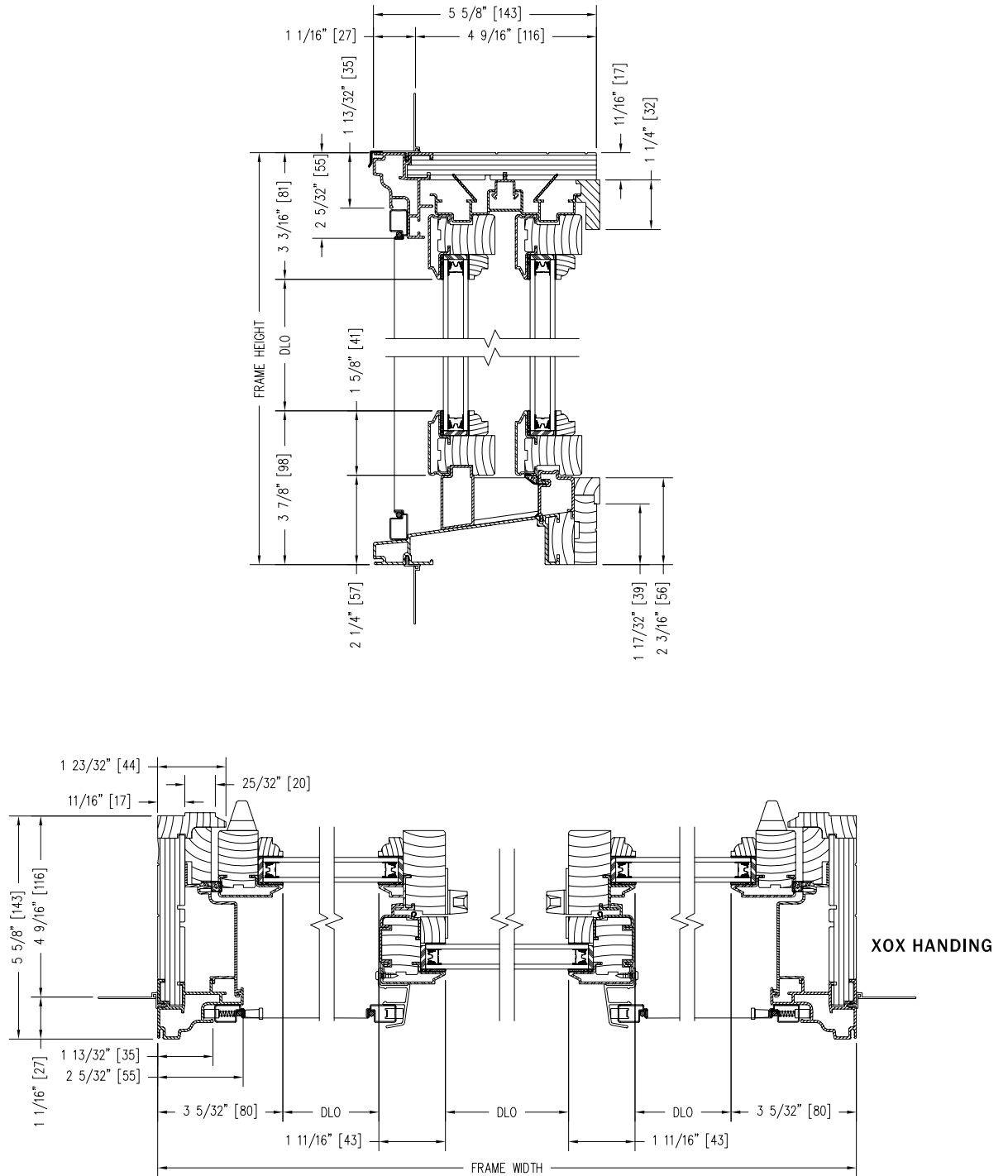
Notes: See drawing AD3072 for optional Aux Sill Stop.

Dynamically configure section details to your specific needs by going to [EagleWindow.com](http://EagleWindow.com), select Wintelligence. Eagle Window & Door reserves the right to change the specifications without notice.

DRAWING # AD3015  
SCALE: 3"-1'-0"  
REVISION: 2/2/09



# SLIDE-BY (TRIPLE)



Notes: See drawing AD3072 for optional Aux Sill Stop.

Dynamically configure section details to your specific needs by going to [EagleWindow.com](http://EagleWindow.com), select Wintelligence. Eagle Window & Door reserves the right to change the specifications without notice.

DRAWING # AD3016  
SCALE: 3"-1'-0"  
REVISION: 2/2/09

