

**AAMA/WDMA/CSA 101/I.S.2/A440-05
TEST REPORT**

Rendered to:

EAGLE WINDOW & DOOR, INC.

**SERIES/MODEL: 5066 Double Hung Picture
with Monolithic Impact Glazing
PRODUCT TYPE: Aluminum Clad Fixed Wood Window
with Monolithic Impact Glazing**

Title	Summary of Results
Primary Product Designator	FW-C55 1524 x 1981 (60 x 78)
Design Pressure	2640 Pa (55.0 psf)
Air Infiltration	<0.05 L/s/m ² (<0.01 cfm/ft ²)
Water Penetration Resistance Test Pressure	400 Pa (8.25 psf)
Uniform Load Structural Test Pressure	±3960 Pa (±82.5 psf)
Forced Entry Resistance	Grade 40

Test Completion Date: 05/29/07

Reference must be made to Report No. 72963.01-201-44, dated 07/09/07 for complete test specimen description and data.

AAMA/WDMA/CSA 101/I.S.2/A440-05 TEST REPORT

Rendered to:

EAGLE WINDOW & DOOR, INC.
2045 Kerper Blvd.
Dubuque, IA 52004-1072

Report No.: 72963.01-201-44
Test Dates: 05/29/07
Through: 05/30/07
Report Date: 07/09/07
Expiration Date: 05/29/11

Project Summary: Architectural Testing, Inc. was contracted by Eagle Window & Door, Inc. to perform testing on a Series/Model 5066 Double Hung Picture with Monolithic Impact Glazing, Aluminum Clad Fixed Wood Window with Monolithic Impact Glazing. The sample tested successfully met the performance requirements for an FW-C55 1524 x 1981 (60 x 78) rating. Test specimen description and results are reported herein. The sample was provided by the client.

Test Specification: The test specimen was evaluated in accordance with AAMA/WDMA/CSA 101/I.S.2/A440-05, *Standard/Specification for Windows, Doors, and Unit Skylights*.

Test Specimen Description:

Series/Model: 5066 Double Hung Picture with Monolithic Impact Glazing

Product Type: Aluminum Clad Fixed Wood Window with Monolithic Impact Glazing

Overall Size: 1524 mm (60") wide by 1981 mm (78") high

Sash Size: 1465 mm (57-11/16") wide by 1927 mm (75-7/8") high

Overall Area: 3.0 m² (32.5 ft²)

Finish: Exterior cladding was painted white, interior wood was natural.

Test Specimen Description: (Continued)

Frame Construction: Head frame corners were coped, butted, sealed with silicone and secured with three 11 mm (7/16") by 44 mm (1-3/4") long staples per corner. Sill frame corners were coped, butted, sealed with a corner gasket and silicone, and secured with two #8 by 44 mm (1-3/4") screws. Aluminum cladding was slip-fit over wood members, miter-cut at head corners and secured with a corner key and two #6 by 11 mm (7/16") screws per corner. Sill corners were coped, butted sealed with a corner gasket and silicone and secured with a #7 by 32 mm (1-1/4") screw and a #6 by 11 mm (7/16") screw.

Sash Construction: Sash corners were mortise-and-tenon construction; sash upper corners were secured with glue and two #8 by 38 mm (1-1/2") screws per corner; sash lower corners were secured with glue and one #8 by 57 mm (2-1/4") and one #8 by 38 mm (1-1/2") screws per corner. Aluminum cladding was slip-fit over wood members, sash upper corners were miter-cut, sealed with butyl and secured with a corner key and two #4 by 13 mm (1/2") screws per head corner. Sash lower corners were coped, butted and sealed with butyl.

Weatherstripping:

<u>Description</u>	<u>Quantity</u>	<u>Location</u>
Hollow vinyl bulb with 10 mm (3/8") leaf	1 Row	Sash bottom rail

Glazing Details: The sash were glazed with a 13 mm laminated sheet that was comprised of two 6 mm (1/4") annealed sheets and a 2 mm (0.090") SGP interlayer. The glass was set from the interior against InstantGlaze II silicone sealant, backfilled with silicone and secured with wood glazing beads set on the interior, secured with 25 mm (1") brad nails spaced 152 mm to 203 mm (6" to 8") on center.

Daylight Opening Area: 1436 mm (53") wide by 1765 mm (69-1/2") high

Hardware: No hardware was utilized.

Installation: The window was installed within a wood test frame and secured with installation clips that were secured to the window with two #8 by 16 mm (5/8") screws and to the buck on the interior and exterior with two #8 by 38 mm (1-1/2") screws that were spaced 152 mm (6") from corners and 406 mm (16") on center. The unit was sealed to the buck with silicone.

Test Results: The temperature during testing was 21°C (70°F). The results are tabulated as follows:

<u>Paragraph</u>	<u>Title of Test - Test Method</u>	<u>Results</u>	<u>Allowed</u>
5.3.2	Air Leakage Resistance per ASTM E 283		
	75 Pa (1.6 psf)	<0.05 L/s/m ² (<0.01 cfm/ft ²)	1.5 L/s/m ² (0.3 cfm/ft ²) max.
	300 Pa (6.2 psf)	0.05 L/s/m ² (0.01 cfm/ft ²)	-- --

Note #1: *The tested specimen meets (or exceeds) the performance levels specified in AAMA/WDMA/CSA 101/I.S.2/A440-05 for air leakage resistance.*

5.3.3.2	Water Penetration Resistance per ASTM E 547 and E 331		See Note #2
5.3.4.2	Uniform Load Deflection per ASTM E 330		See Note #2
5.3.4.3	Uniform Load Structural per ASTM E 330		See Note #2

Note #2: *The client opted to start at a pressure higher than the minimum required. Those results are listed under "Optional Performance".*

5.3.5	Forced Entry Resistance per ASTM F 588		
	Type: D	Grade: 40	
	Disassembly Test	No entry	No entry
	Sash/Panel Manipulation Test	No entry	No entry
	Lock Hardware Manipulation Test	No entry	No entry

Optional Performance

4.4.2.6	Water Penetration Resistance per ASTM E 547 and E 331		
	400 Pa (8.25 psf)	No leakage	No leakage
4.4.2.6	Uniform Load Deflection per ASTM E 330 (Deflections were taken on the sash bottom rail) (Loads were held for 60 seconds)		
	2640 Pa (55.0 psf) (positive)	3.05 mm (0.12")	See Note #3
	2640 Pa (55.0 psf) (negative)	3.56 mm (0.14")	See Note #3

Note #3: *The deflections reported are not limited by AAMA/WDMA/CSA 101/I.S.2/A440-05 for this product designation. The deflection data is recorded in this report for special code compliance and information only.*

Test Results: (Continued)

<u>Paragraph</u>	<u>Title of Test - Test Method</u>	<u>Results</u>	<u>Allowed</u>
------------------	------------------------------------	----------------	----------------

Optional Performance: (Continued)

4.4.2.6	Uniform Load Structural per ASTM E 330 (Permanent sets were taken on the sash bottom rail) (Loads were held for 10 seconds)		
	3960 Pa (82.5 psf) (positive)	<0.25 mm (<0.01")	5.33 mm (0.21") max.
	3960 Pa (82.5 psf) (negative)	<0.25 mm (<0.01")	5.33 mm (0.21") max.

Tape and film were used to seal against air leakage during structural testing. In our opinion, the tape and film did not influence the results of the test.

Drawing Reference: The test specimen drawings have been reviewed by Architectural Testing, Inc. and are representative of the test specimen reported herein.

List of Official Observers:

<u>Name</u>	<u>Company</u>
Thad McKinley	Eagle Window & Door, Inc.
Joe Cogan	Eagle Window & Door, Inc.
Karl A. Lips-Eakins	Architectural Testing, Inc.
Eric J. Schoenthaler	Architectural Testing, Inc.

Detailed drawings, data sheets, representative samples of test specimens, a copy of this report, or other pertinent project documentation will be retained by Architectural Testing, Inc. for a period of four years from the original test date. At the end of this retention period, such materials shall be discarded without notice and the service life of this report will expire.

Results obtained are tested values and were secured by using the designated test methods. No conclusions of any kind regarding the adequacy or inadequacy of the glass in the test specimen can be made. This report does not constitute certification of this product nor an opinion or endorsement by this laboratory. It is the exclusive property of the client so named herein and relates only to the specimen(s) tested. This report may not be reproduced, except in full, without the written approval of Architectural Testing, Inc.

For ARCHITECTURAL TESTING, INC.

Eric J. Schoenthaler
Project Manager

Daniel A. Johnson
Director - Regional Operations

EJS:mb

Attachments (pages): This report is complete only when all attachments listed are included.

- Appendix-A: Alteration Addendum (1)
- Appendix B: WDMA Submittal Forms (2)
- Appendix-C: Drawings (28)

Revision Log

<u>Rev. #</u>	<u>Date</u>	<u>Page(s)</u>	<u>Revision(s)</u>
0	07/09/07	N/A	Original report issue. Report and drawings forwarded to AMS for Hallmark Certification.

Appendix A
Alteration Addendum

Note: No alterations were required.



Appendix B

WDMA Submittal Forms



WDMA HALLMARK CERTIFICATION PROGRAM REPORT SUBMISSION FORM

Product Name: T7 Talon Picture
(as to be listed on CCL)

Product Type: Fixed Window

Additional Manufacturer ID #: _____

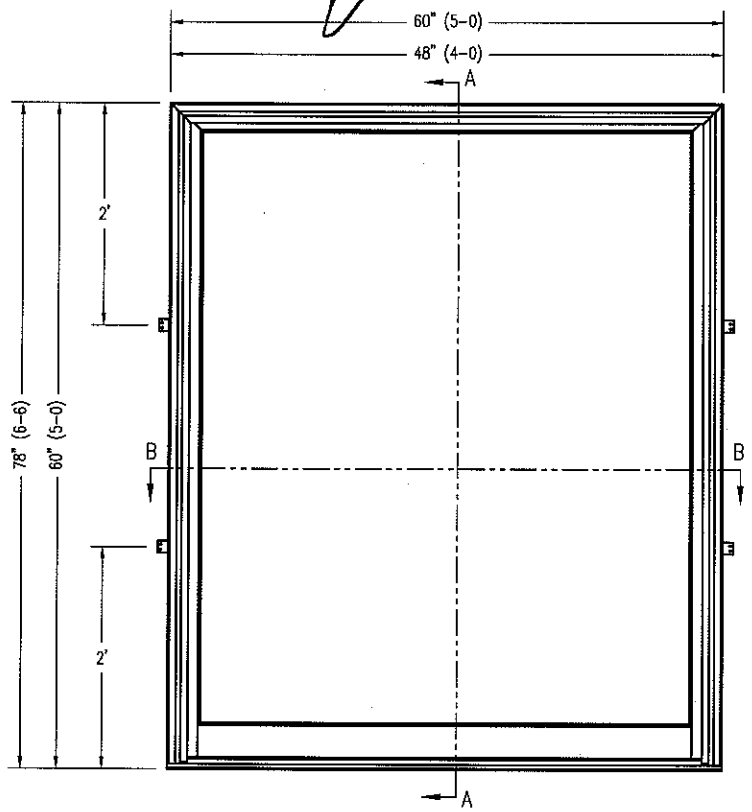
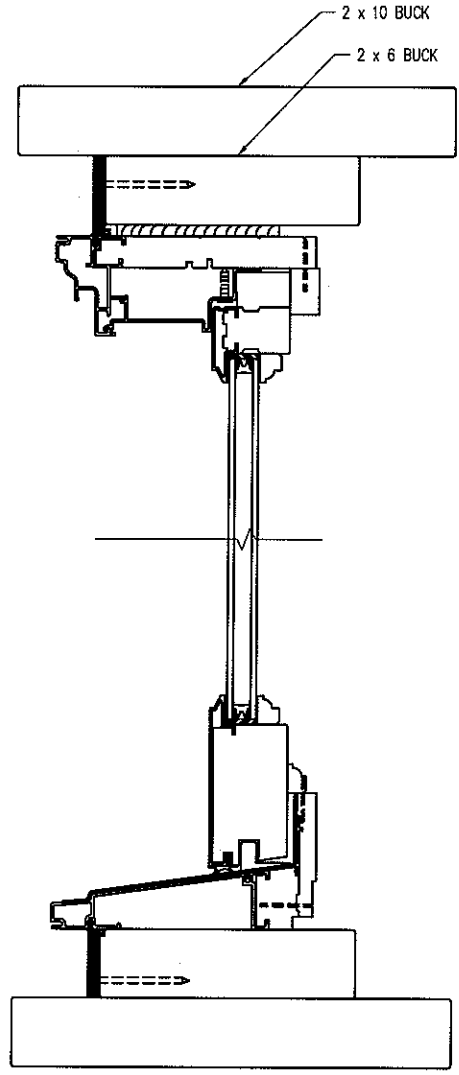
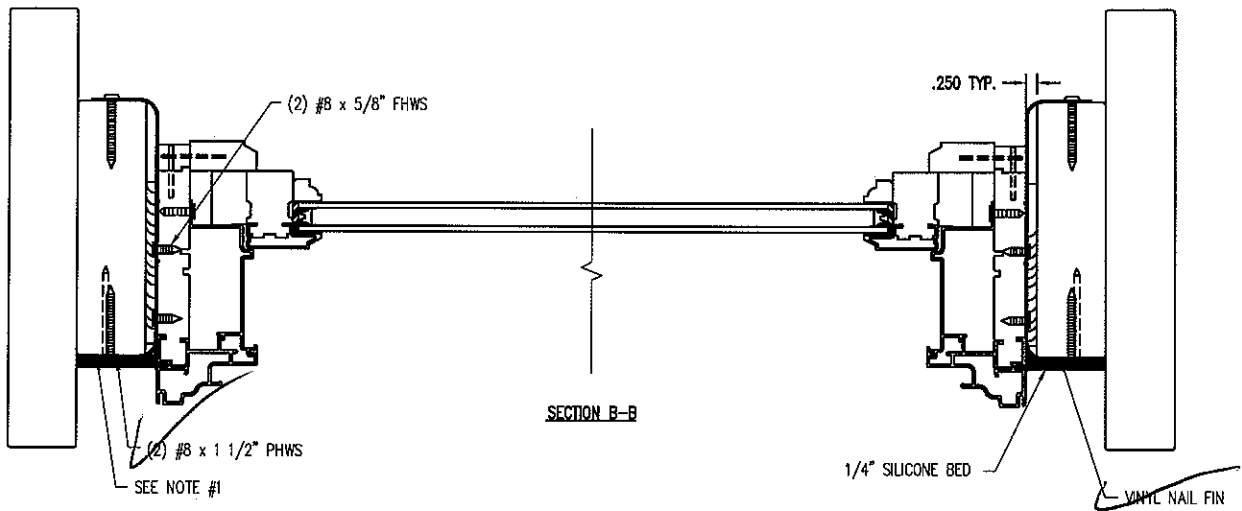
n/a

Hallmark CCL	Standard	Rating
<input type="checkbox"/>	ANSI/AAMA/NWWDA 101/I.S. 2 97	_____
<input type="checkbox"/>	101/I.S.2/NAFS-02	_____
<input checked="" type="checkbox"/>	AAMA/WDMA/CSA/101/I.S.2/A440-05	FW-C55
<input type="checkbox"/>	ASTM E 1996 99 / E1886-97	_____
<input type="checkbox"/>	ASTM E 1996 01 / E1886-97	_____
<input type="checkbox"/>	ASTM E 1996 02 / E1886-02	_____
<input type="checkbox"/>	ASTM E 1996 03 / E1886-02	_____
<input type="checkbox"/>	ASTM E 1996 04 / E1886-04	_____
<input type="checkbox"/>	ASTM E 1996 05 / E1886-05	_____
<input type="checkbox"/>	ASTM E330 02	_____
<input type="checkbox"/>	ANSI A250.13-03	_____
<input type="checkbox"/>	TAS 201-94	_____
<input type="checkbox"/>	TAS 202-94	_____
<input type="checkbox"/>	TAS 203-94	_____
<input type="checkbox"/>	Other:	_____

Appendix C

Drawings

1. (44) 2" ROOFING NAILS THROUGH NAIL FIN INTO BUCK SPACES 3 1/2" FROM EACH END AND 6" ON CENTER THEREAFTER.



Architectural Testing

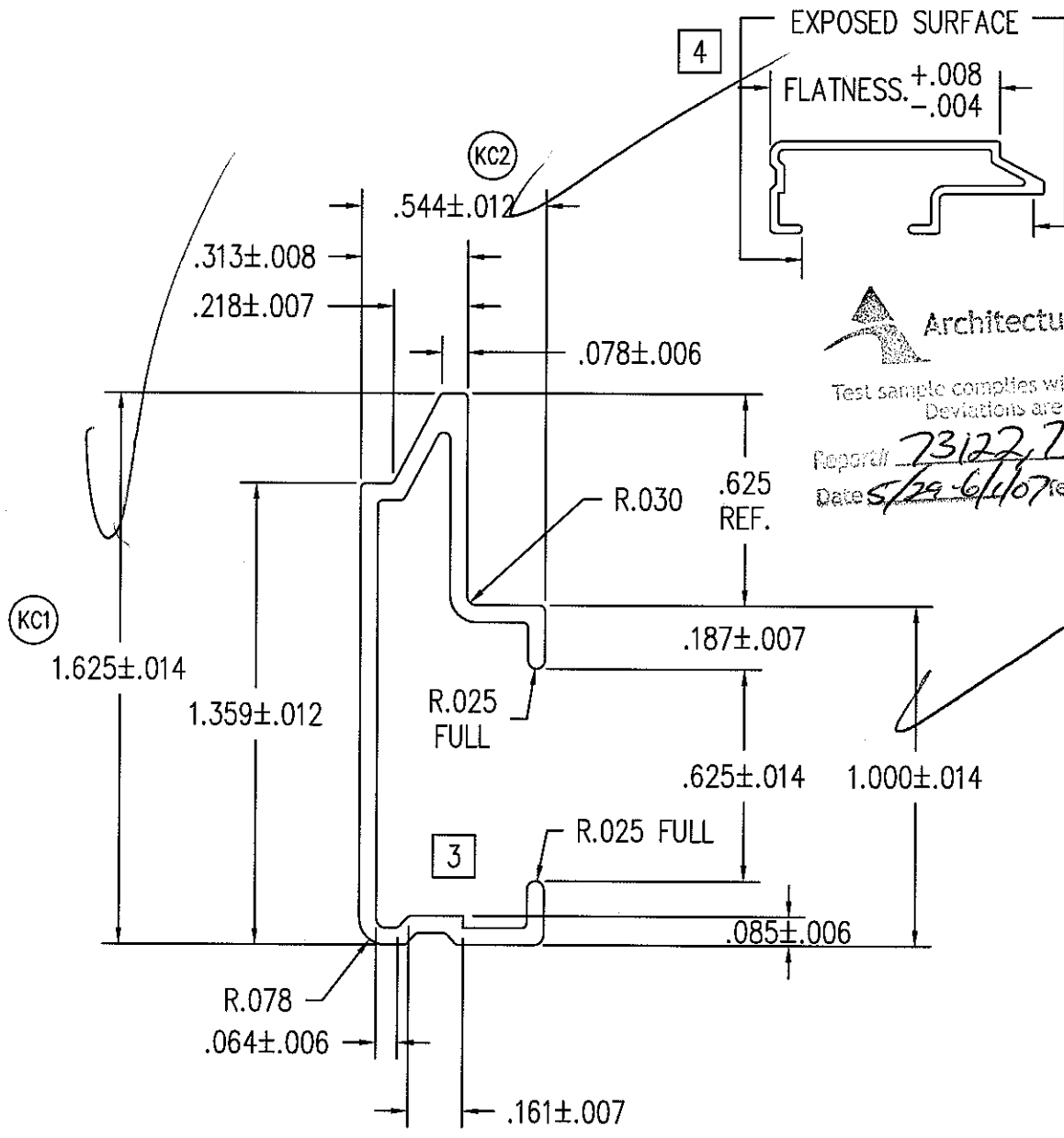
Test sample complies with these details.
Deviations are noted.

Report# 73122, 73110, 22863
Date 5/29-6/10 Tech STG

THIS DRAWING AND ITS CONTENTS ARE THE PROPERTY OF EAGLE WINDOW & DOOR. NO USE OR REPRODUCTION OF THE CONTENTS OF THIS DOCUMENT IS PERMITTED WITHOUT THE EXPRESS WRITTEN PERMISSION OF EAGLE WINDOW & DOOR.	
TITLE:	'07 CDHF
INSTALLATION DETAIL	
FINISH:	
MATL:	
DFT:	KJS SCALE: 1=4
DCN:	0881 DRWG: 0538
DATE:	3/19/07 I C 01 OF 01

NO	DESCRIPTION	DFT	DOC	DATE

- NOTE: 1. UNLESS OTHERWISE SPECIFIED, ALL DIMENSIONS SHOWN ARE IN INCHES AND ALL TOLERANCES ARE TO BE: DEC. $\pm .005$; FRAC. $\pm 1/64$; ANGLES $\pm 1/2^\circ$.
 2. TYPICAL WALL THICKNESS $.050 \pm .005$.
 3. UNSPECIFIED RADIUS TO BE $.015$.



Architectural Testing
 Test sample complies with these details.
 Deviations are noted.
 Report# 73122, 73110, 72963
 Date 5/29-6/1/07 Tech 76

THIS DRAWING AND ITS CONTENTS ARE THE PROPERTY OF EAGLE WINDOW & DOOR. NO USE OR REPRODUCTION OF THE CONTENTS OF THIS DOCUMENT IS PERMITTED WITHOUT THE EXPRESS WRITTEN PERMISSION OF EAGLE WINDOW & DOOR.
 TITLE: CDHV, CDHF, CSW, CDHVET SASH COVER
 FINISH: EAGLE'S STD. COLORS

05	ADDED E-TILT DHG	RJW	0589	6/26/2002		
04	ADDED TOLERANCE SPECS.	TWN	0595	8/31/2001	MATL:	6063 T-6 ALUMINUM
03	REVISED PROFILE	CEL	0366	10/27/1998		OR EQUIVALENT
02	CHG'D DESCRIPTION	CEL	0247	4/14/1997	DFT:	GDE
01	PROFILE REDESIGNED	BRL	0215	8/29/1995	DCN:	0073
NO	DESCRIPTION	DFT	DOC	DATE	DATE:	3/26/1993
					SCALE:	2=1
					DRWG:	A16K
					A	01 OF 02

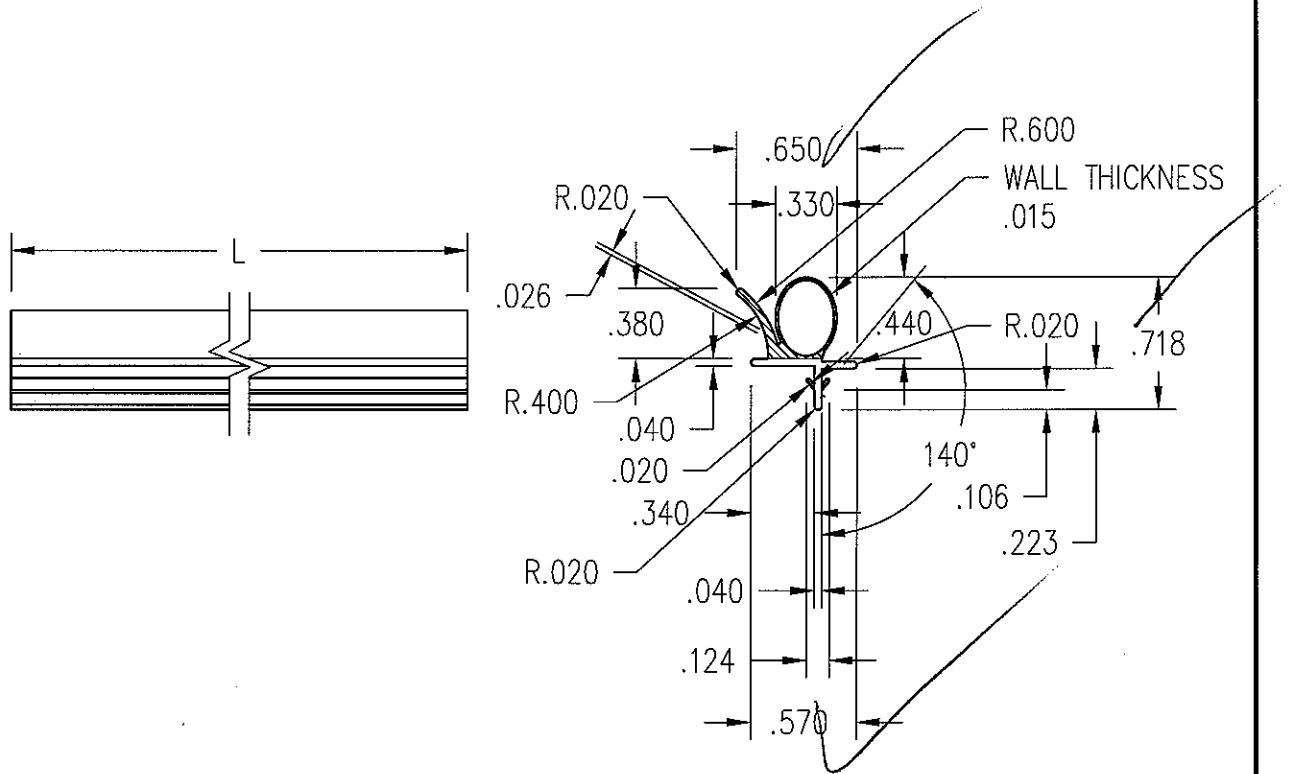
NOTE: 1. UNLESS OTHERWISE SPECIFIED, ALL DIMENSIONS SHOWN ARE IN INCHES AND ALL TOLERANCES ARE TO BE: DEC. ± 0.005 ; FRAC. $\pm 1/64$; ANGLES $\pm 1/2^\circ$.
 2. L = AFW - 3.800.



Architectural Testing

Test sample complies with these details.
 Deviations are noted.

Report# 73122, 73110, 72963
 Date 5/22-6/1/07 Tech. FB



THIS DRAWING AND ITS CONTENTS ARE THE PROPERTY OF EAGLE WINDOW & DOOR. NO USE OR REPRODUCTION OF THE CONTENTS OF THIS DOCUMENT IS PERMITTED WITHOUT THE EXPRESS WRITTEN PERMISSION OF EAGLE WINDOW & DOOR.

TITLE: '07 CDHV
 BULB W-STRIP

FINISH:

MATL:

DFT: ksmith SCALE: 1=1

DCN: 0881 DRWG: A72G

DATE: 1/29/2007 A 01 OF 01

01	CHANGED PROFILE	TWN	PRE	3/20/07	DCN:	0881	DRWG:	A72G
NO	DESCRIPTION	DFT	DOC	DATE	DATE:	1/29/2007	A	01 OF 01

NO.	DWG NO.	DESCRIPTION	QUANTITY	MATERIAL	SUPPLIER
1	A514	HEAD FRAME CLADDING	1	ALUMINUM	BONNELL
2	21E9	HEAD	1	WOOD (LVL)	EAGLE WINDOW & DOOR
3	A19K	.125 DIA. SASH BUTYL SEALANT	AS REQUIRED	POLYISOBUTYLENE	DEVAN SEALANTS
4	A40F	1 1/4" HARDENED STEEL BRAD	AS REQUIRED	STEEL	ABILITY FASTENERS
5	214F	HEAD INTERIOR STOP	1	WOOD	EAGLE WINDOW & DOOR
6	A51B	CDHF HEAD STOP EXTRUSION	1	ALUMINUM	HYDRO
7	A030	SILICONE SEALANT	AS REQUIRED	SILICONE	DOW CORNING
8	21DY	CDHF INT. SIDE STOP SUPPORT	2	WOOD	EAGLE WINDOW & DOOR
9	21X7	CDHF FILLER BLOCK	2	WOOD	EAGLE WINDOW & DOOR
10	A00L	3/16" x 1 1/8" STAPLE	AS REQUIRED	GALVANIZED STEEL	ABILITY FASTENERS
11	A51C	CDHF SIDE STOP EXTRUSION	2	ALUMINUM	HYDRO
12	2134	JAMB	2	WOOD (LVL)	EAGLE WINDOW & DOOR
13	A514	SIDE FRAME COVER	2	ALUMINUM	HYDRO
14	220J	GLAZING STOP	1	WOOD	EAGLE WINDOW & DOOR
15	A40E	1" HARDENED STEEL BRAD (18 GA.)	AS REQUIRED	STEEL	ABILITY FASTENERS
16	20F8	SILL STOP	1	WOOD	EAGLE WINDOW & DOOR
	20FM	SILL STOP - AUX OPTION		WOOD	EAGLE WINDOW & DOOR
17	A74H	SILL WATER DAM	1	VINYL	CLIM-A-TECH
18	A00T	#7 x 7/8" FHWS S.S.	6	STEEL	ABILITY FASTENERS
19	A732	SNUBBER	3	GLASS FILLED NYLON	LCS
20	A735	SETTING PAD	2	PVC FOAM	CLIM-A-TECH
21	A72H	FRAME PLUG	2	NYLON	LCS
22	A571	FRAME SILL COVER	1	ALUMINUM	HYDRO
23	20F1	THERMAL BLOCK	1	WOOD	EAGLE WINDOW & DOOR
24	A00R	#7 x 5/8" FHSMS	AS REQUIRED	STAINLESS STEEL	ABILITY FASTENERS
25	A70K	07 CORNER BLOCK	1		LCS
26	A02E	#8 x 1 3/4" FH SMS (Z&Y)	8	STEEL	ABILITY FASTENERS
27	A330	#8 x 1 1/2" FHWS Z&Y	AS REQUIRED	STEEL	ABILITY FASTENERS
28	A11D	7/16" x 1 3/4" 16 GA. STAPLE	8	GALVANIZED STEEL	ABILITY FASTENERS
29	A100	90 CORNER KEY	2	NYLON	LAKE COUNTRY SALES
30	A08W	MDL CORNER KEY	2	ABS COMPOUND	LAKE COUNTRY SALES
31	A11K	#6 x 7/16", #8 BODY FHSMS S.S.	6	STAINLESS STEEL	ABILITY FASTENERS
32	A39W	#7 x 1 1/4" FH SMS (S.S.)	2	STEEL	ABILITY FASTENERS
33	20FD	CDHF HEAD & SIDE STOP SUPPORT	3	WOOD	EAGLE WINDOW & DOOR
34	20F4	UPPER RAIL	1	WOOD	EAGLE WINDOW & DOOR
35	A16K	SASH COVER	1	ALUMINUM	HYDRO
36	220J	HORZ. COLONIAL GLAZING STOP	2	WOOD	EAGLE WINDOW & DOOR
37	A00E	NEOPRENE GLASS SETTING BLOCK	AS REQUIRED	NEOPRENE RUBBER	CLIM-A-TECH
38	20F4	STILE	2	WOOD	EAGLE WINDOW & DOOR
39	220J	VERT. COLONIAL GLAZING STOP	2	WOOD	EAGLE WINDOW & DOOR
40	A08J	5/8" INSULATED GLASS	1	GLASS	CARDINAL IG
	A32Y	SINGLE PANE GLASS (OPT.)		GLASS	CARDINAL IG
41	A67M	.031 x .625 FOAM TAPE (GLASS STOP TAPE)	AS REQUIRED	POLYTHYLENE	ADHESIVE RESEARCH
42	A51H	INSTANT GLAZE II SEALANT	AS REQUIRED	POLYURETHANE	DOW CORNING
43	A08K	GLAZING SHIM .250 x .065 x 4.000	AS REQUIRED	NEOPRENE RUBBER	CLIM-A-TECH
44	20E8	LOWER RAIL	1	WOOD	EAGLE WINDOW & DOOR



Architectural Testing

Test sample complies with these details.
Deviations are noted.

Report# 73122, 73110, 72963
Date 5/29-6/1/07 Tech TC

TITLE: CDHF UNIT ASSEMBLY	
FINISH:	
MATL:	
DFT: KJS	SCALE: 1=1
DCN: 0881	DRWG: 0537
DATE: 4/24/07	C 08

NO	DESCRIPTION	DFT	DOC	DATE
----	-------------	-----	-----	------

NO.	DWG NO.	DESCRIPTION	QUANTITY	MATERIAL	SUPPLIER
45	A71X	LOWER RAIL COVER	1	ALUMINUM	HYDRO
46	A72G	LOWER SASH WEATHER STRIP	1		CLIM-A-TECH
47	A172	SASH CORNER KEY	2	NYLON	LAKE COUNTRY SALES
48	A01A	.094 x .265 BUTYL TAPE	AS REQUIRED	BUTYL RUBBER	PTI INC.
49	A01D	TYPE 1 BOND WOOD ADHESIVE	AS REQUIRED	COPOLYMER	NATIONAL STARCH
50	A737	.031 x 1.125 SEALANT (BUTYL TAPE)	2	BUTYL RUBBER	DEVAN SEALANTS
51	A48C	#8 x 2 1/4" COMBO ROUND WASHER HEAD	2	STEEL	ABILITY FASTENERS
52	A19H	#4 x 1/2" FHSMS S.S.	4	STEEL	ABILITY FASTENERS
53	A741	STILE COVER	2	ALUMINUM	HYDRO
54					
55	H-40	5/8" BETWEEN GLASS MUNTIN	AS REQUIRED	ALUMINUM	ALLMETAL
56	P/PD	1" CONTOUR MUNTIN	AS REQUIRED	ALUMINUM	ALLMETAL
57	220H	1 1/2" INTERIOR COLONIAL MDL BAR	AS REQUIRED	WOOD	EAGLE WINDOW & DOOR
58	H-40	SPACER CHANNEL	AS REQUIRED	ALUMINUM	ALLMETAL
59	A507	1 1/2" EXTERIOR MDL BAR	AS REQUIRED	ALUMINUM	HYDRO
60	A67X	1 1/2" MDL ADHESIVE TAPE (EXTERIOR TAPE)	AS REQUIRED	POLYETHYLENE	ADHESIVE RESEARCH
61	A67L	1 1/2" MDL ADHESIVE TAPE (INTERIOR TAPE)	AS REQUIRED	POLYETHYLENE	ADHESIVE RESEARCH
62	220H	1 1/8" INTERIOR COLONIAL MDL BAR	AS REQUIRED	WOOD	EAGLE WINDOW & DOOR
63	H-40	SPACER CHANNEL	AS REQUIRED	ALUMINUM	ALLMETAL
64	A507	1 1/8" EXTERIOR MDL BAR	AS REQUIRED	ALUMINUM	HYDRO
65	A67W	1 1/8" MDL ADHESIVE TAPE (EXTERIOR TAPE)	AS REQUIRED	POLYETHYLENE	ADHESIVE RESEARCH
66	A67R	1 1/8" MDL ADHESIVE TAPE (INTERIOR TAPE)	AS REQUIRED	POLYETHYLENE	ADHESIVE RESEARCH
67	220H	7/8" INTERIOR COLONIAL MDL BAR	AS REQUIRED	WOOD	EAGLE WINDOW & DOOR
68	H-40	SPACER CHANNEL	AS REQUIRED	ALUMINUM	ALLMETAL
69	A507	7/8" EXTERIOR MDL BAR	AS REQUIRED	ALUMINUM	HYDRO
70	A67T	7/8" MDL ADHESIVE TAPE (EXTERIOR TAPE)	AS REQUIRED	POLYETHYLENE	ADHESIVE RESEARCH
71	A67N	7/8" MDL ADHESIVE TAPE (INTERIOR TAPE)	AS REQUIRED	POLYETHYLENE	ADHESIVE RESEARCH
72	20FA	5/8" INTERIOR COLONIAL MDL BAR	AS REQUIRED	WOOD	EAGLE WINDOW & DOOR
73	H-40	SPACER CHANNEL	AS REQUIRED	ALUMINUM	ALLMETAL
74	A72D	5/8" EXTERIOR MDL BAR	AS REQUIRED	ALUMINUM	HYDRO
75	A75N	5/8" MDL ADHESIVE TAPE (EXTERIOR TAPE)	AS REQUIRED	POLYETHYLENE	ADHESIVE RESEARCH
76	A75M	5/8" MDL ADHESIVE TAPE (INTERIOR TAPE)	AS REQUIRED	POLYETHYLENE	ADHESIVE RESEARCH
77	N/A	ADHESIVE FOAM TAPE	AS REQUIRED	POLYETHYLENE	CARDINAL



Architectural Testing

Test sample complies with these details.
Deviations are noted.

Report# 73122, 73110, 72963
Date 5/29-6/1/07 Tech TC

TITLE: CDHF UNIT ASSEMBLY	
FINISH:	
MATL:	
DFT: KJS	SCALE: 1=1
DCN: 0881	DRWG: 0537
DATE: 4/24/07	C 09

NO	DESCRIPTION	DFT	DOC	DATE

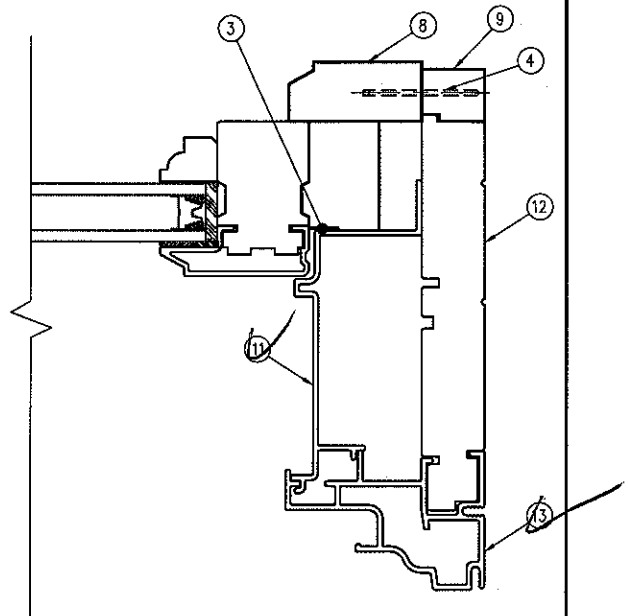
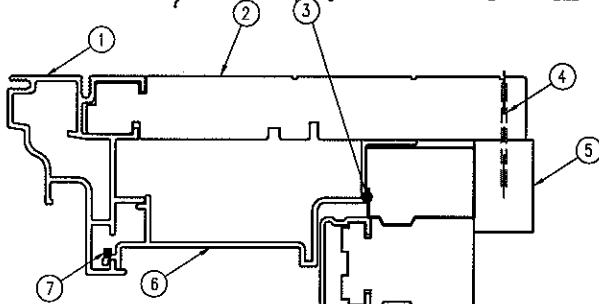


Architectural Testing

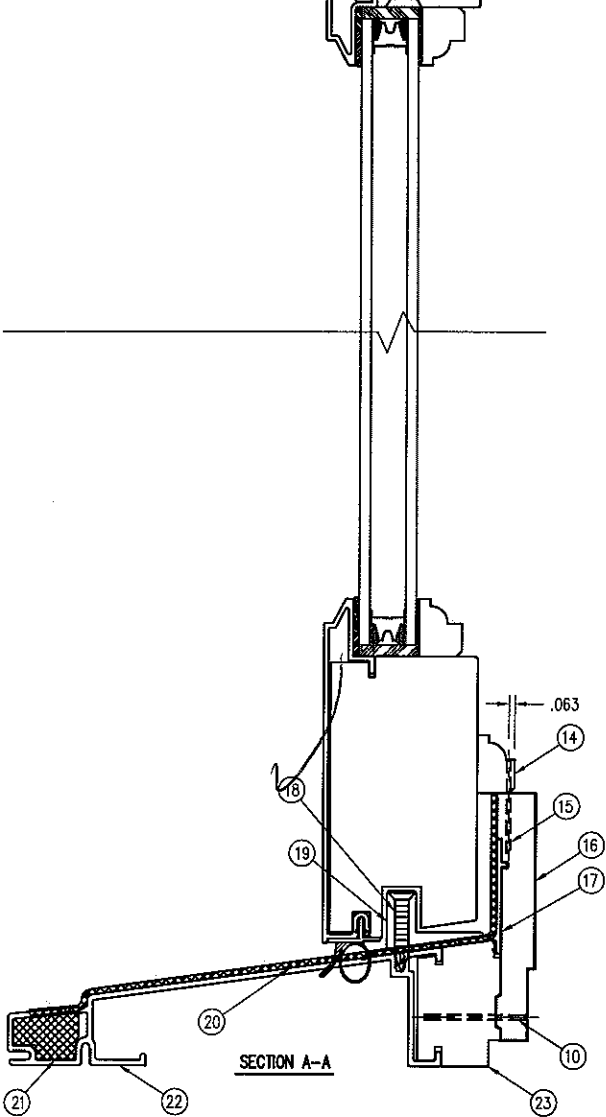
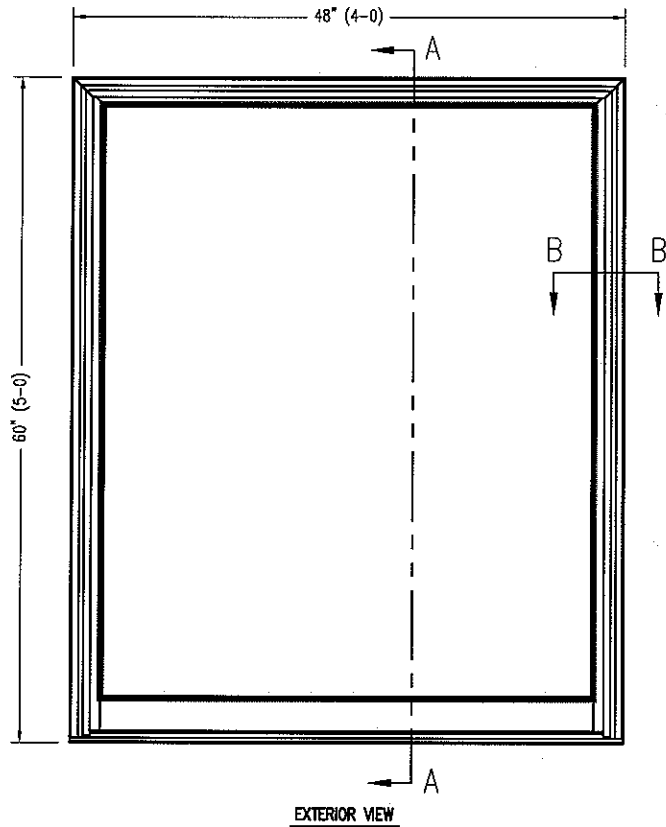
Test sample complies with these details.
Deviations are noted.

Report# 73122, 73110, 72963

Date 5/22-6/1/07 Tech TG



SECTION B-B

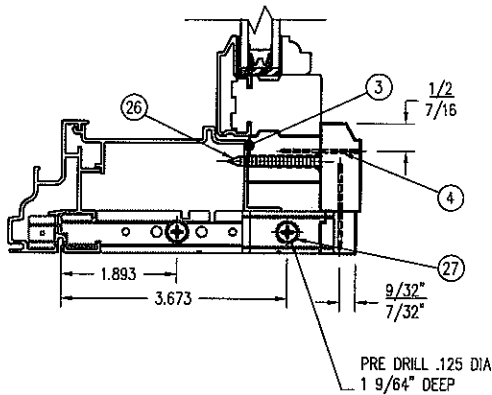
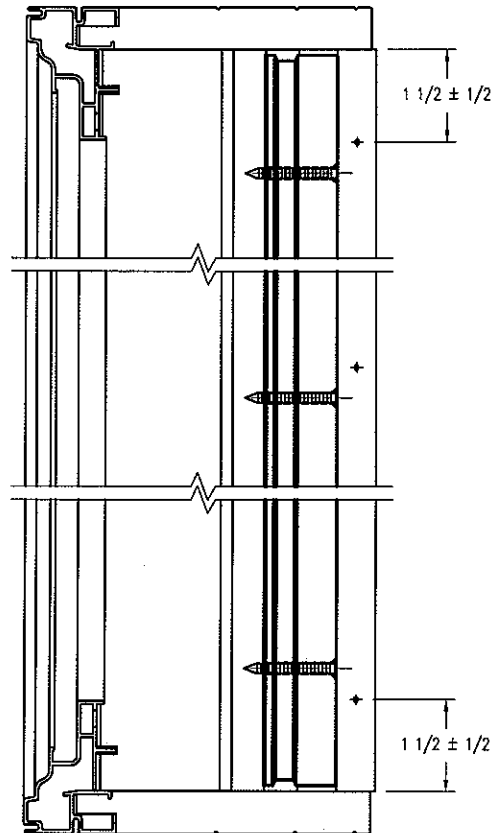
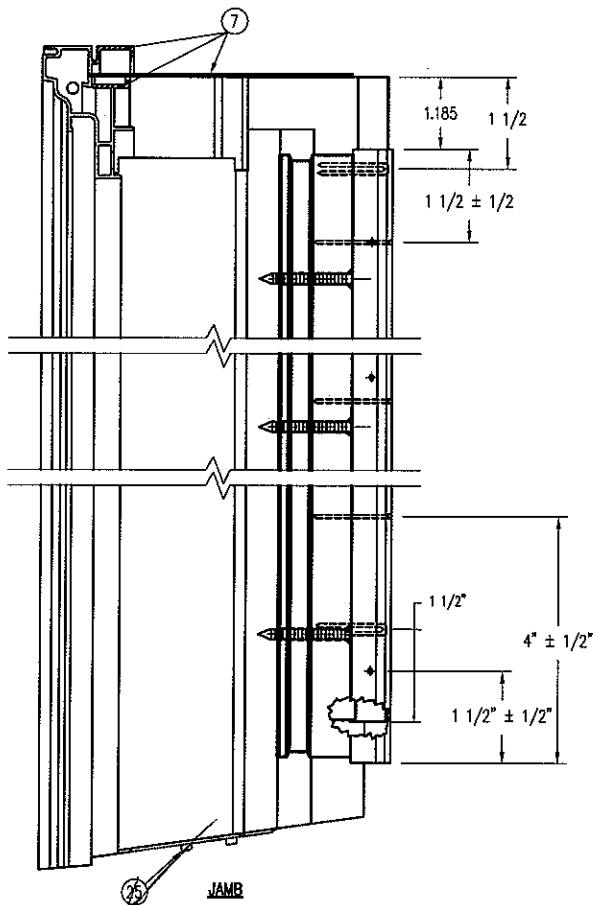
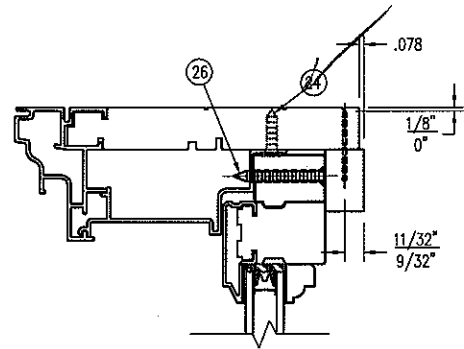
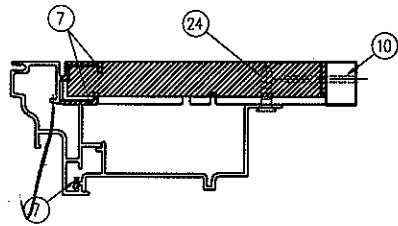


SECTION A-A

THIS DRAWING AND ITS CONTENTS ARE THE PROPERTY OF EAGLE WINDOW & DOOR. NO USE OR REPRODUCTION OF THE CONTENTS OF THIS DOCUMENT IS PERMITTED WITHOUT THE EXPRESS WRITTEN PERMISSION OF EAGLE WINDOW & DOOR.

TITLE:	07 CDHF		
	UNIT ASSEMBLY		
FINISH:			
MATL:			
DFT:	ksmith	SCALE:	1=2
DCN:	0881	DRWG:	0537
DATE:	4/23/07	C	01 OF 09

NOI	DESCRIPTION	DFT	DOC	DATE
				DATE: 4/23/07



Architectural Testing

Test sample complies with these details.
Deviations are noted.

Report# 73122, 73110, 72963
Date 5/29-6/16/07 Tech TG

THIS DRAWING AND ITS CONTENTS ARE THE PROPERTY OF EAGLE WINDOW & DOOR. NO USE OR REPRODUCTION OF THE CONTENTS OF THIS DOCUMENT IS PERMITTED WITHOUT THE EXPRESS WRITTEN PERMISSION OF EAGLE WINDOW & DOOR.	
TITLE:	07 CDHF UNIT ASSEMBLY
FINISH:	
MATERIAL:	
DFT:	ksmith SCALE: 1=3
DCN:	0881 DRWG: 0537
DATE:	4/23/07 C 02

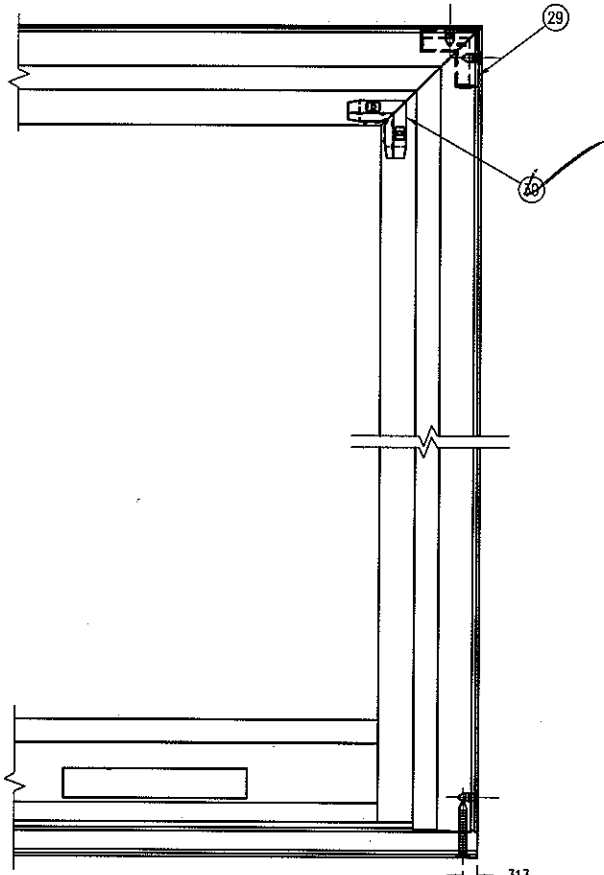
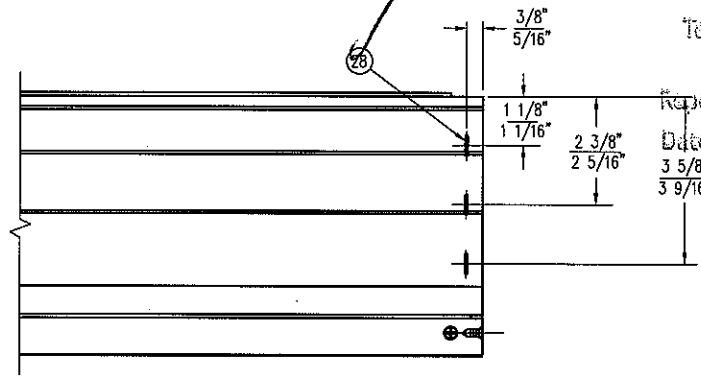
NO	DESCRIPTION	DFT	DOC	DATE



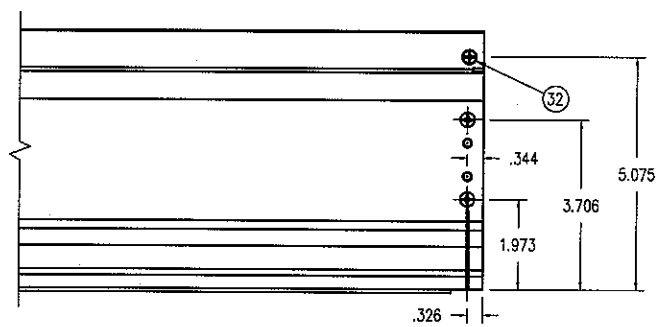
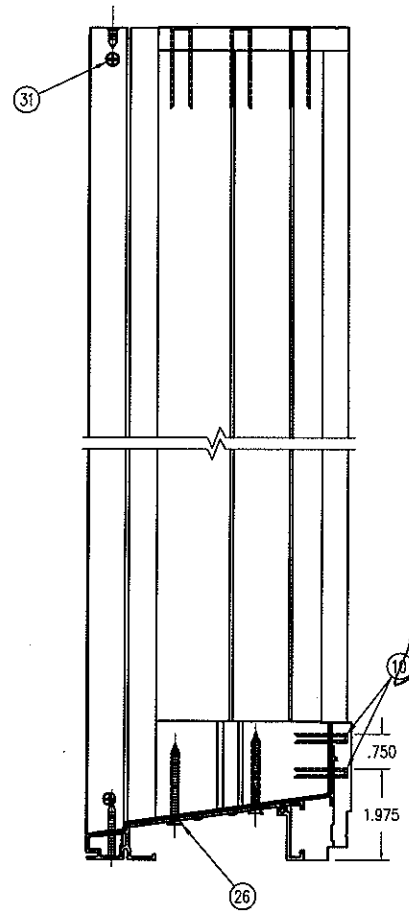
Architectural Testing

Test sample complies with these details.
Deviations are noted.

Report# 73122, 73110, 72963
Date 5/29-6/10/07 Tech TG
3 5/8"
3 9/16"

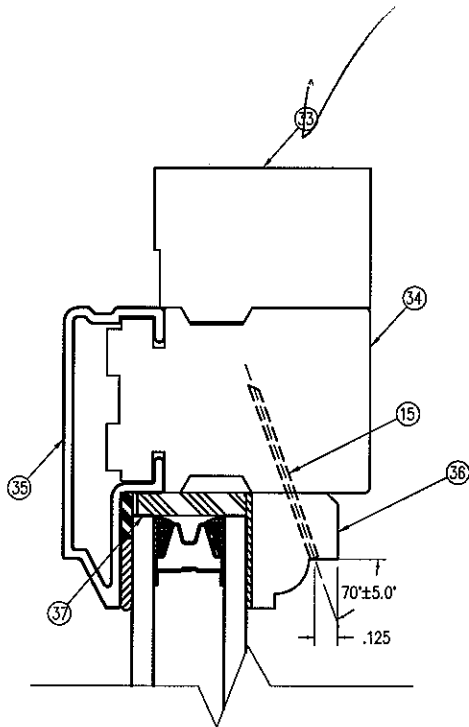


EXTERIOR VIEW

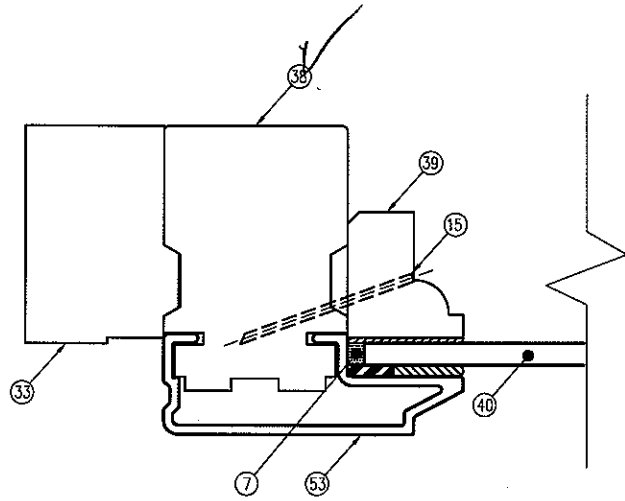


THIS DRAWING AND ITS CONTENTS ARE THE PROPERTY OF
EAGLE WINDOW & DOOR. NO USE OR REPRODUCTION OF THE
CONTENTS OF THIS DOCUMENT IS PERMITTED WITHOUT THE
EXPRESS WRITTEN PERMISSION OF EAGLE WINDOW & DOOR.
TITLE: 07 CDHF
FRAME ASSEMBLY
FINISH:
MATERIAL:
DFT: ksmith SCALE: 1=4
DCN: 0881 DRWG: 0537
DATE: 4/23/07 C 03

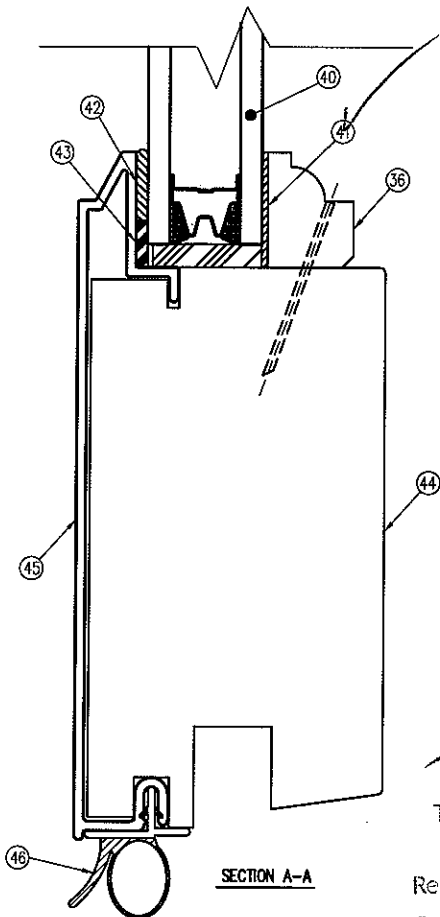
NO	DESCRIPTION	DFT	DOC	DATE
				DATE: 4/23/07



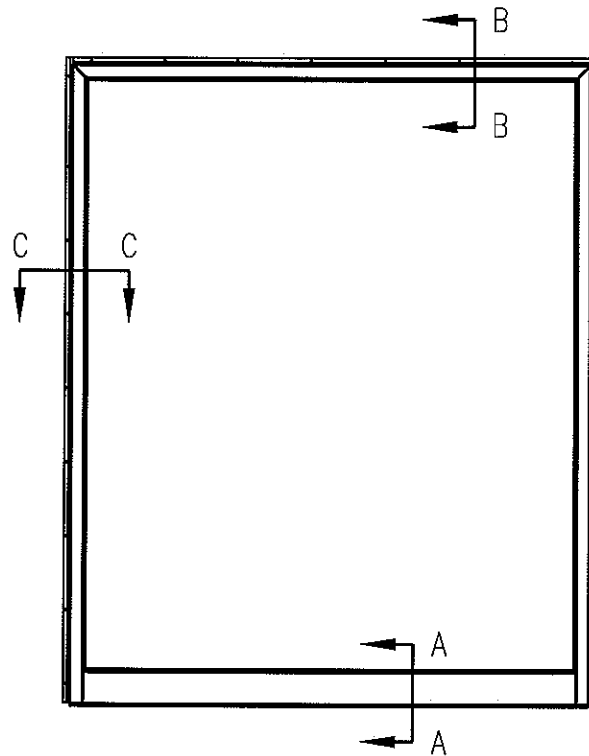
SECTION B-B



SECTION C-C



SECTION A-A



EXTERIOR VIEW

Architectural Testing

Test sample complies with these details.
Deviations are noted.

Report# 73122, 73110, 72963
Date 5/29-6/1/07 Tech TG

THIS DRAWING AND ITS CONTENTS ARE THE PROPERTY OF EAGLE WINDOW & DOOR. NO USE OR REPRODUCTION OF THE CONTENTS OF THIS DOCUMENT IS PERMITTED WITHOUT THE EXPRESS WRITTEN PERMISSION OF EAGLE WINDOW & DOOR.	
TITLE:	CDHF SASH ASSEMBLY
FINISH:	
MATL:	
DFT: ksmith	SCALE: 1=1
DCN: 0881	DRWG: 0537
DATE: 4/23/07	C 04

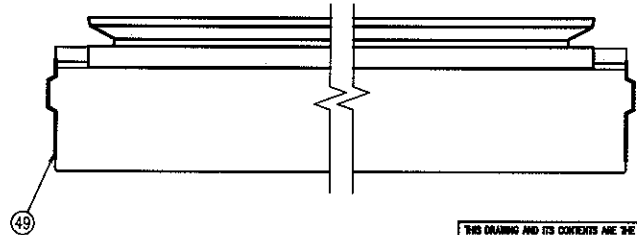
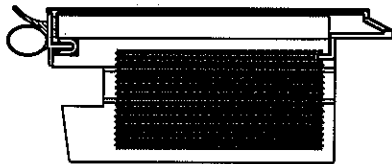
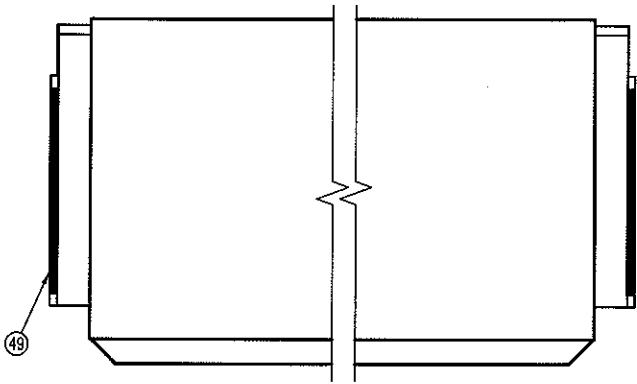
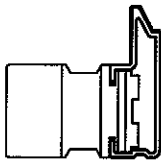
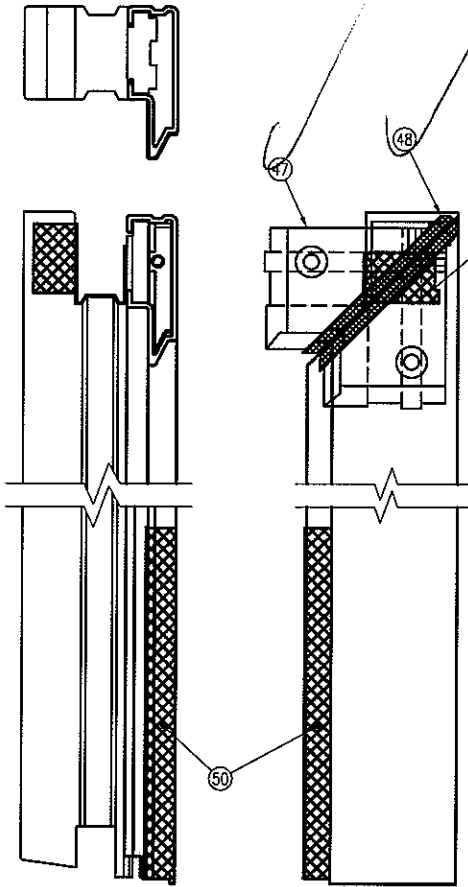
NO	DESCRIPTION	DFT	DOC	DATE
----	-------------	-----	-----	------



Architectural Testing

Test sample complies with these details.
Deviations are noted.

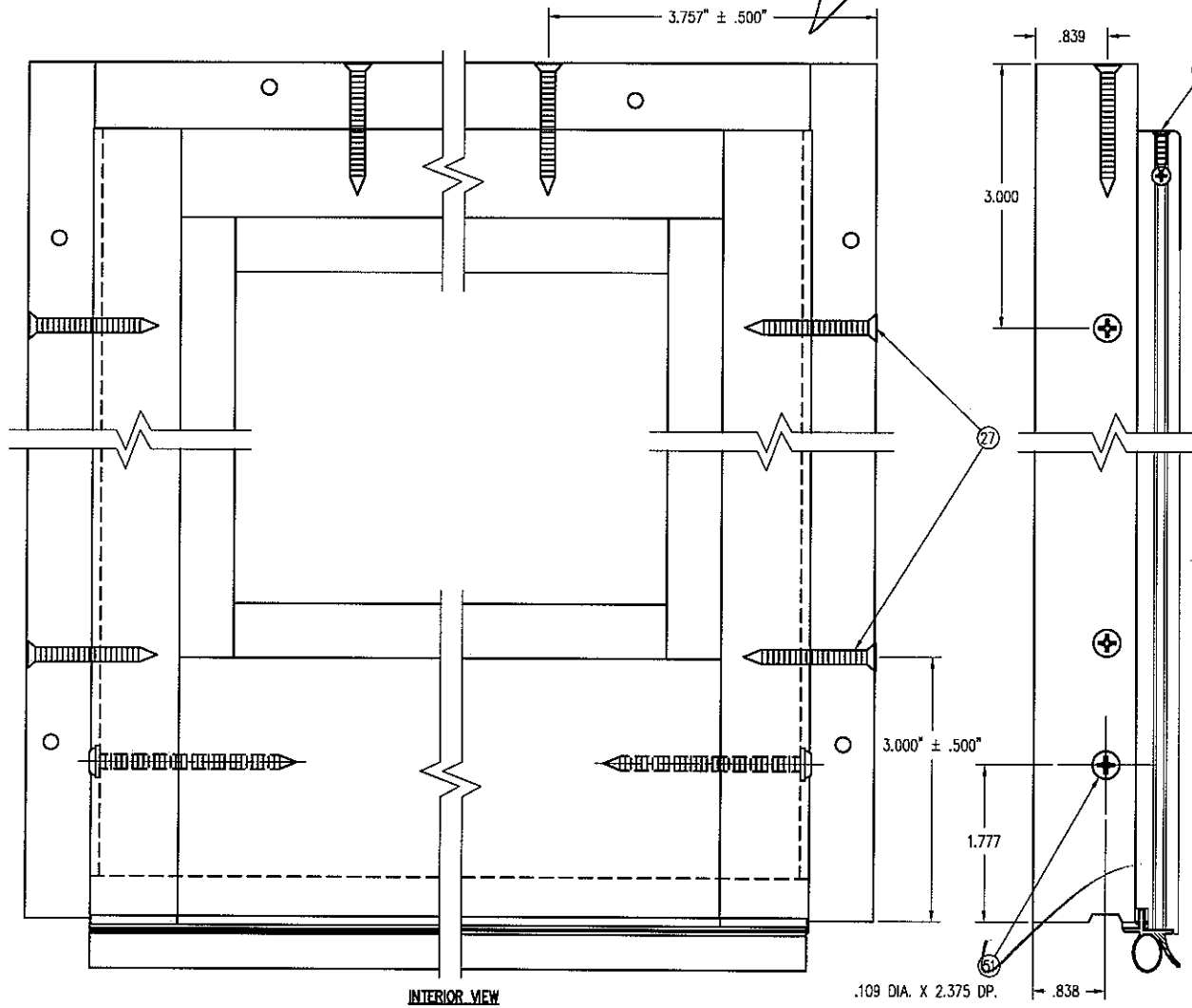
Report# 73122, 73110, 72963
Date 5/29-6/1/07 Tech 16



THIS DRAWING AND ITS CONTENTS ARE THE PROPERTY OF EAGLE WINDOW & DOOR. NO USE OR REPRODUCTION OF THE CONTENTS OF THIS DOCUMENT IS PERMITTED WITHOUT THE EXPRESS WRITTEN PERMISSION OF EAGLE WINDOW & DOOR.

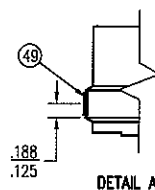
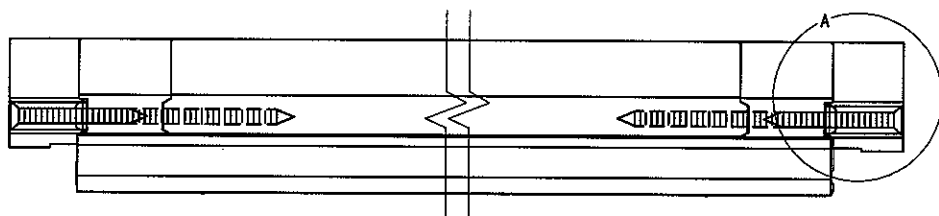
TITLE: CDHF
SASH ASSEMBLY
FINISH:
MATERIAL:
D.F.I: ksmith SCALE: 1=2
DCN: 0881 DRWG: 0537
DATE: 4/23/07 C 05

NO	DESCRIPTION	DFT	DOC	DATE

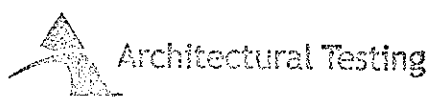


INTERIOR VIEW

.109 DIA. X 2.375 DP.



DETAIL A



Architectural Testing

Test sample complies with these details.
Deviations are noted.

Report# 73122, 73110, 72963
Date 5/29-6/1/07 Tech TG

THIS DRAWING AND ITS CONTENTS ARE THE PROPERTY OF EAGLE WINDOW & DOOR. NO USE OR REPRODUCTION OF THE CONTENTS OF THIS DOCUMENT IS PERMITTED WITHOUT THE EXPRESS WRITTEN PERMISSION OF EAGLE WINDOW & DOOR.

TITLE:	CDHF
	SASH ASSEMBLY
FINISH:	
MATERIAL:	
DFI:	ksmith
DCN:	0881
SCALE:	1=2
DRWG:	0537
DATE:	4/23/07
	C 06

NOI	DESCRIPTION	DFT	DOC	DATE

NOTE: 1. UNLESS OTHERWISE SPECIFIED, ALL DIMENSIONS SHOWN ARE IN INCHES AND ALL TOLERANCES ARE TO BE: DEC. ±.005; FRAC. ±1/64; ANGLES ±1/2°.

PRODUCT	GLASS	A
(PRE '96 & NG) CLAD CASEMENT & AWNING	5/8"	.469
(PRE '96 & NG) CLAD CASEMENT PICTURE	3/4"	.469
CLAD PIANO HINGE CASEMENT	5/8"	.469
CLAD PIANO HINGE CASEMENT (3056 & ABOVE)	3/4"	.469
CLAD RADIUS CASEMENT	5/8" & 3/4"	.469
(PRE '96 & NG) CLAD DOUBLE / SINGLE HUNG	5/8"	.469
(PRE '96 & NG) CLAD DOUBLE HUNG PICTURE	5/8"	.469
CLAD DOUBLE HUNG TRANSOM	5/8"	.469
CLAD DOUBLE HUNG REPLACEMENT SASH	5/8"	.469
ALL CLAD (NON-RADIUS) AUXILIARY (0-15 SQ. FT.)	3/4"	.469
ALL CLAD (NON-RADIUS) AUXILIARY (15+ SQ. FT.)	1"	.469
CLAD SLIDING WINDOW	5/8"	.469
CLAD INSWING / OUTSWING FRENCH DOOR	3/4"	.469
CLAD FRENCH DOOR TRANSOM	3/4"	.469
CLAD PATIO / FRENCH SLIDING DOOR	3/4"	.469
(PRE '98) WOOD CASEMENT & AWNING	3/4"	.680
(PRE '98) WOOD CASEMENT PICTURE	3/4"	.680
(NG) WOOD CASEMENT & AWNING	5/8"	.469
(NG) WOOD CASEMENT PICTURE	5/8" & 3/4"	.469
WOOD PIANO HINGE CASEMENT	5/8"	.469
WOOD PIANO HINGE CASEMENT (3056 & ABOVE)	3/4"	.469
(PRE '96 & NG) WOOD DOUBLE / SINGLE HUNG	5/8"	.469
(PRE '96 & NG) WOOD DOUBLE HUNG PICTURE	5/8"	.469
WOOD SLIDING WINDOW	5/8"	.469
WOOD DOUBLE HUNG TRANSOM	5/8"	.469
WOOD DOUBLE HUNG REPLACEMENT SASH	5/8"	.469
WOOD (NON-RADIUS) AUXILIARY (0-15 SQ. FT.)	3/4"	.469
WOOD (NON-RADIUS) AUXILIARY (15+ SQ. FT.)	1"	.469
WOOD INSWING / OUTSWING FRENCH DOOR	3/4"	.469
WOOD FRENCH DOOR TRANSOM	3/4"	.469
WOOD PATIO / FRENCH SLIDING DOOR	3/4"	.469
CLAD & WOOD PATIO/FR. SLIDING DOOR (BLIND GLASS)	1"	.406
ALL CLAD AND WOOD WINDOWS AND DOORS EXCEPT AUXILIARY UNITS WHICH ALWAYS USES	SINGLE GLAZED H. MSTR MONO	.680

Architectural Testing

Test sample complies with these details. Deviations are noted.

Report# 25122, 23109, 22963
Date 5/29-6/16/07 Tech TR

PANEL STOPS	
PRODUCT	A
WOOD OUTSWING SIDELITE	.469
WOOD OUTSWING TRANSOM	.469
WOOD INSWING SIDELITE	.469
WOOD INSWING TRANSOM	.469
CLAD DHG PICTURE	.406

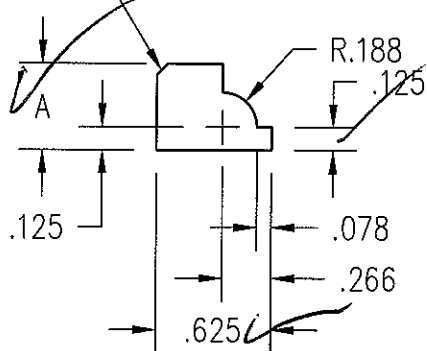
2

4

1

.062 x .062 CHAMFER

3



THIS DRAWING AND ITS CONTENTS ARE THE PROPERTY OF EAGLE WINDOW & DOOR. NO USE OR REPRODUCTION OF THE CONTENTS OF THIS DOCUMENT IS PERMITTED WITHOUT THE EXPRESS WRITTEN PERMISSION OF EAGLE WINDOW & DOOR.

TITLE: COLONIAL GLAZING STOP

FINISH:



04	ADDED CDHG PICT TO CHART	KJS	0881	3/6/07	MATL:	
03	ADDED SIZE FOR IMPACT GLAZING	TWN	0972	9/1/05		EAGLE STD WOOD OFFERINGS
02	CHG'D CLAD PANEL STOP "A" DIM	JH	0794	6/30/05	DFT: JMH	SCALE: 1=1
01	ADDED KYLER BLIND SIZE	TWN	0910	4/19/05	DCN: 0650	DRWG: 220J
NO	DESCRIPTION	DFT	DOC	DATE	DATE: 5/29/2002	A 01 OF 03

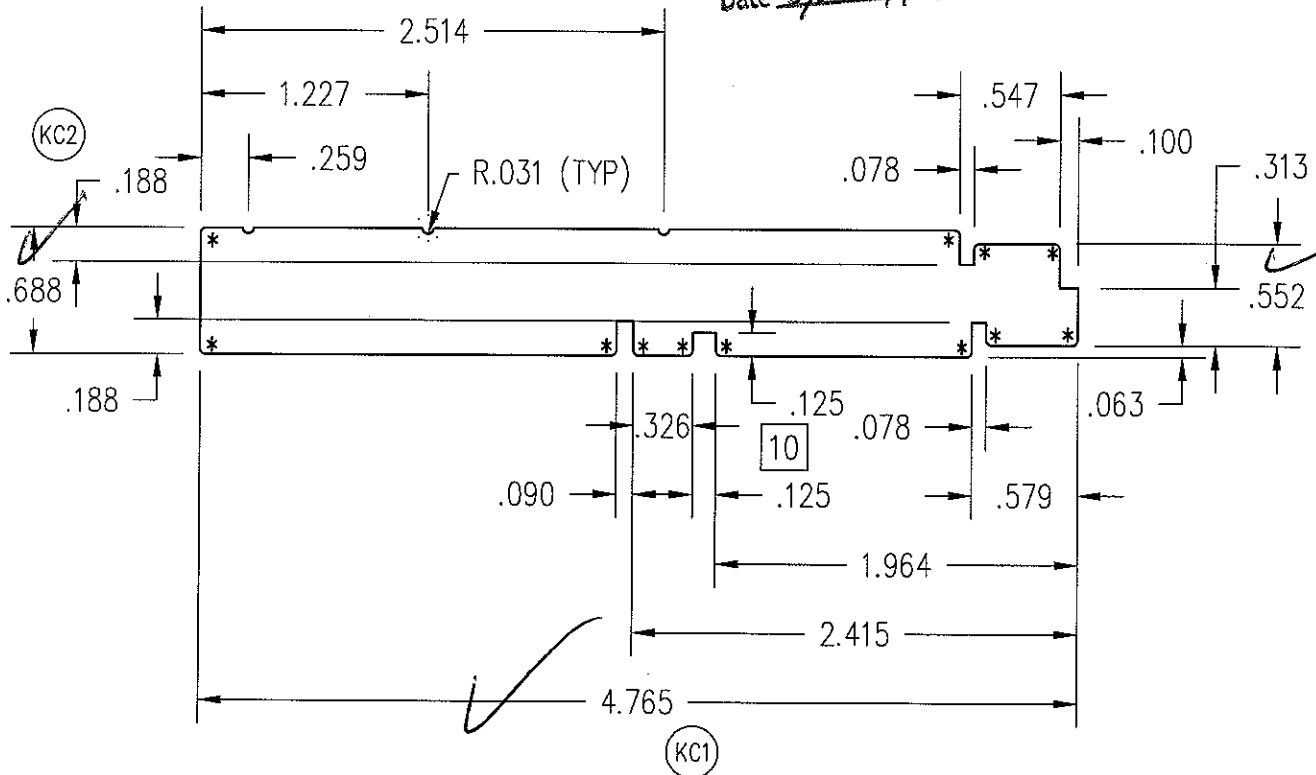
- NOTE: 1. UNLESS OTHERWISE SPECIFIED, ALL DIMENSIONS SHOWN ARE IN INCHES AND ALL TOLERANCES ARE TO BE: DEC. ± 0.005 ; FRAC. $\pm 1/64$; ANGLES $\pm 1/2^\circ$.
 2. UNLESS OTHERWISE SPECIFIED ALL RADII = $.031$. DENOTED BY * (12 PLCS).



Architectural Testing

Test sample complies with these details.
 Deviations are noted.

Report# 73122, 73110, 72963
 Date 5/24-6/1/07 Tech LG



THIS DRAWING AND ITS CONTENTS ARE THE PROPERTY OF EAGLE WINDOW & DOOR. NO USE OR REPRODUCTION OF THE CONTENTS OF THIS DOCUMENT IS PERMITTED WITHOUT THE EXPRESS WRITTEN PERMISSION OF EAGLE WINDOW & DOOR.

TITLE: CDHV/CDHVET/CSW - HEAD
 CDHF - HEAD/SIDE JAMB

FINISH:

MATL: SEE PAGE 02

10	ADD 2ND KERF TO MATCH #2134	TWN	0768	1/30/03	DFT: BRL	SCALE: 1=1
09	ADDED E-TILT DHG	RJW	0589	6/26/02	DCN: 0215	DRWG: 21E9
NO	DESCRIPTION	DFT	DOC	DATE	DATE: 9/29/1995	A 01 OF 02

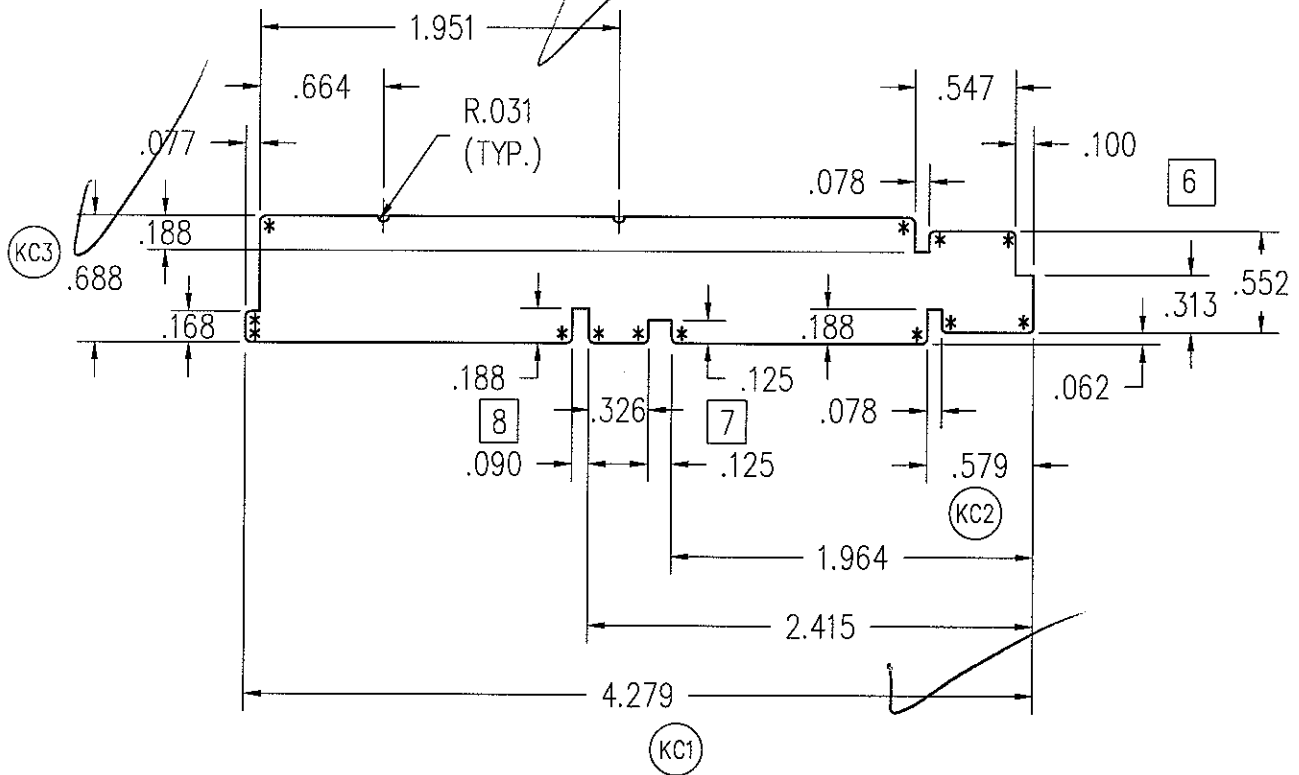
NOTE: 1. UNLESS OTHERWISE SPECIFIED, ALL DIMENSIONS SHOWN ARE IN INCHES AND ALL TOLERANCES ARE TO BE: DEC. ± 0.005 ; FRAC. $\pm 1/64$; ANGLES $\pm 1/2^\circ$.
 2. UNLESS OTHERWISE SPECIFIED ALL RADII = $.031$. DENOTED BY * (13 PLCS)



Architectural Testing

Test sample complies with these details.
 Deviations are noted.

Report# 73122, 73110, 72963
 Date 5/21/07 Tech TE



THIS DRAWING AND ITS CONTENTS ARE THE PROPERTY OF EAGLE WINDOW & DOOR. NO USE OR REPRODUCTION OF THE CONTENTS OF THIS DOCUMENT IS PERMITTED WITHOUT THE EXPRESS WRITTEN PERMISSION OF EAGLE WINDOW & DOOR.

TITLE: CDHV/CDHVET/CSW
 SIDE JAMB

FINISH:

08	ADD 2ND KEFT TO MATCH #21E9	TWN	0768	1/30/2003		
07	ADDED KERF FOR E-TILT	AWW	0589	6/26/2002	MATL:	SEE PAGE 02
06	CHNG'D PROFILE	AWW	0580	8/3/2001		
05	ADD RADIUS TO CORNERS	SCT	0292	5/1/1998	DFT:	GDE SCALE: 1=1
04	CHG'D DESCRIPTION	CEL	0247	5/5/1997	DCN:	0073 DRWG: 2134
NO	DESCRIPTION	DFT	DOC	DATE	DATE: 3/2/1993	A 01 OF 02

NOTE: 1. UNLESS OTHERWISE SPECIFIED, ALL DIMENSIONS SHOWN ARE IN INCHES AND ALL TOLERANCES ARE TO BE: DEC. ± 0.005 ; FRAC. $\pm 1/64$; ANGLES $\pm 1/2^\circ$.

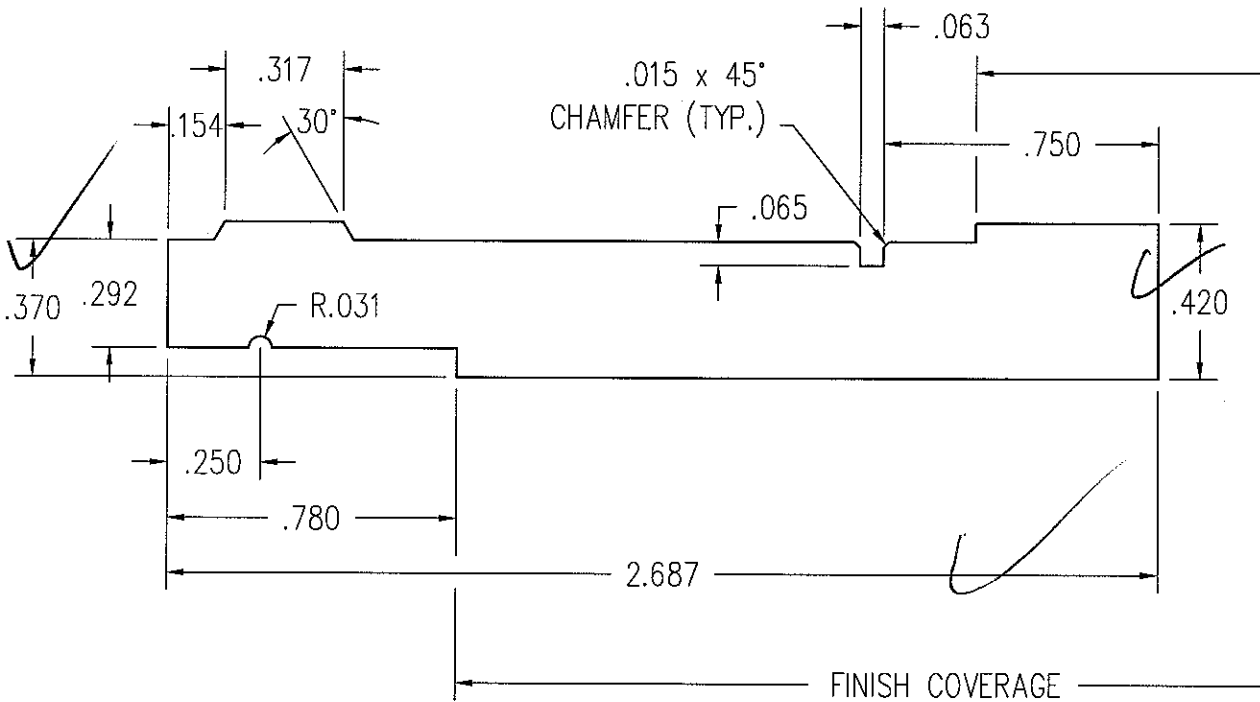


Architectural Testing

Test sample complies with these details.
Deviations are noted.

Report# 73122, 73110, 72963

Date 5/29-6/1/07 Tech TR



THIS DRAWING AND ITS CONTENTS ARE THE PROPERTY OF EAGLE WINDOW & DOOR. NO USE OR REPRODUCTION OF THE CONTENTS OF THIS DOCUMENT IS PERMITTED WITHOUT THE EXPRESS WRITTEN PERMISSION OF EAGLE WINDOW & DOOR.

TITLE: '07 SILL STOP

FINISH:

MATL: CLEAR PINE

DFT: tnies SCALE: 2=1

DCN: 0881 DRWG: 20F8

NO	DESCRIPTION	DFT	DOC	DATE
				DATE: 12/12/2006
				A 01 OF 02

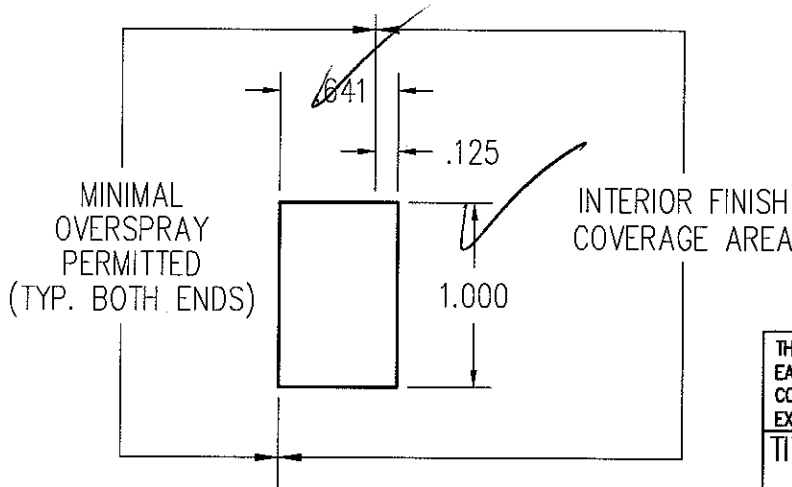
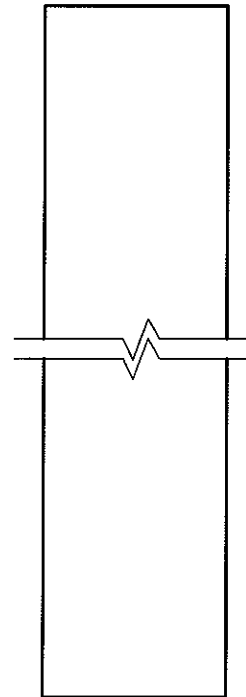
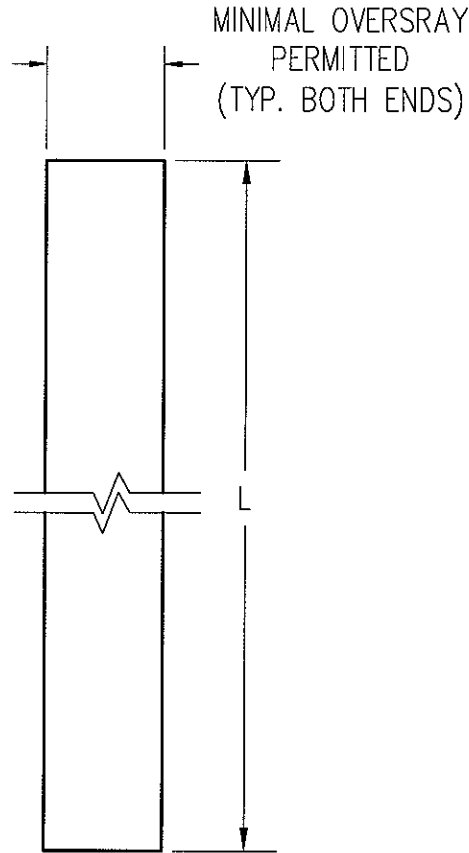
NOTE: 1. UNLESS OTHERWISE SPECIFIED, ALL DIMENSIONS SHOWN ARE IN INCHES AND ALL TOLERANCES ARE TO BE: DEC. ± 0.005 ; FRAC. $\pm 1/64$; ANGLES $\pm 1/2^\circ$.
 2. L = FRAME WIDTH - 1 3/8



Architectural Testing

Test sample complies with these details.
 Deviations are noted.

Report# 73122, 73110, 72963
 Date 5/22-6/1/07 Tech TG



2

FRAME WIDTH	L
30	28 5/8
36	34 5/8
40	38 5/8
48	46 5/8
60	58 5/8

THIS DRAWING AND ITS CONTENTS ARE THE PROPERTY OF EAGLE WINDOW & DOOR. NO USE OR REPRODUCTION OF THE CONTENTS OF THIS DOCUMENT IS PERMITTED WITHOUT THE EXPRESS WRITTEN PERMISSION OF EAGLE WINDOW & DOOR.

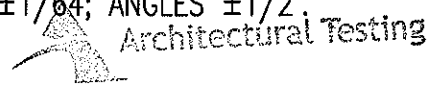
TITLE: HEAD INTERIOR STOP

FINISH:

MATL: CLEAR PINE

02	ADDED 30" SIZE TO CHART	BRL	0235	2/17/96	DFT: GDE	SCALE: 1=1
01	REDESIGNED PROFILE	BRL	0215	9/29/95	DCN: 0073	DRWG: 214F
NO	DESCRIPTION	DFT	DOC	DATE	DATE: 3/3/93	A 01 OF 01

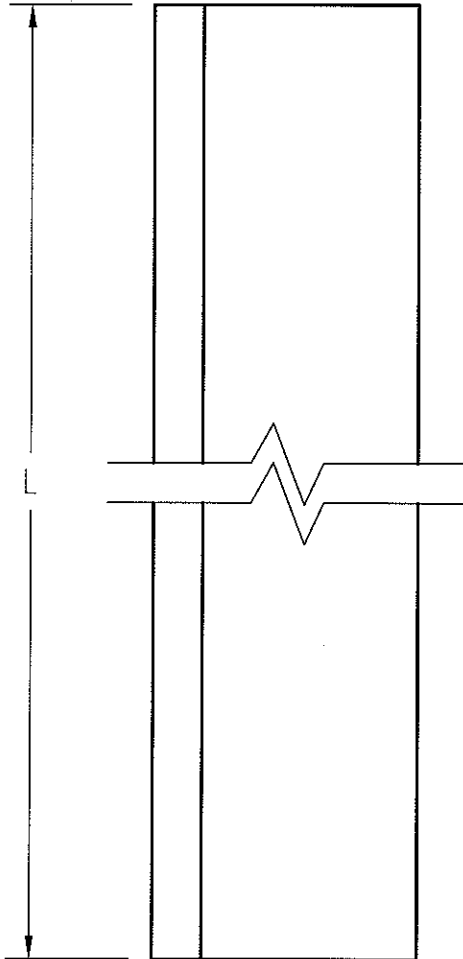
NOTE: 1. UNLESS OTHERWISE SPECIFIED, ALL DIMENSIONS SHOWN ARE IN INCHES AND ALL TOLERANCES ARE TO BE: DEC. ± 0.005 ; FRAC. $\pm 1/64$; ANGLES $\pm 1/2^\circ$.
 2. L = FRAME HEIGHT - 3 7/8.
 '07 CDHF, L = FRAME HEIGHT - 4 21/32.



Architectural Testing

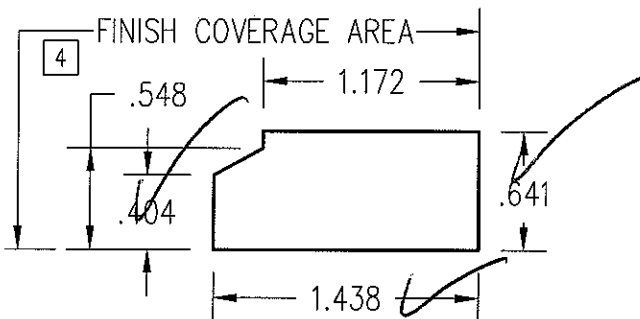
Test sample complies with these details.
 Deviations are noted.

Report# 73122, 73110, 72963
 Date 5/29-6/1/07 Tech 5-16



CDHF & WDHF	
FRAME HEIGHT	L
12	8 1/8
14	10 1/8
16	12 1/8
18	14 1/8
20	16 1/8
22	18 1/8
24	20 1/8
36	32 1/8
40	36 1/8
48	44 1/8
54	50 1/8
60	56 1/8
66	62 1/8
72	68 1/8
78	74 1/8

'07 CDHF	
FRAME HEIGHT	L
12	7 11/32
14	9 11/32
16	11 11/32
18	13 11/32
20	15 11/32
22	17 11/32
24	19 11/32
36	31 11/32
40	35 11/32
48	43 11/32
54	49 11/32
60	55 11/32
66	61 11/32
72	67 11/32
78	72 11/32



THIS DRAWING AND ITS CONTENTS ARE THE PROPERTY OF EAGLE WINDOW & DOOR. NO USE OR REPRODUCTION OF THE CONTENTS OF THIS DOCUMENT IS PERMITTED WITHOUT THE EXPRESS WRITTEN PERMISSION OF EAGLE WINDOW & DOOR.

TITLE: WDHF & CDHF
 INT. SIDE STOP SUPPORT

FINISH: PRESERVATIVE

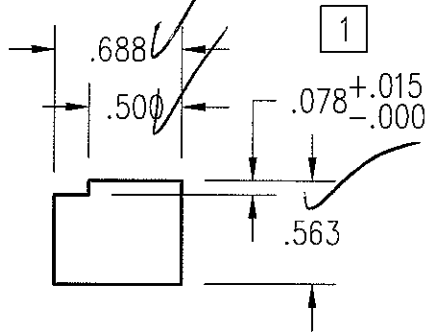
05	ADDED '07 CHART	TWN	0881	4/16/07		
04	ADDED FINISH COVERAGE AREA	JH	0902	7/15/04		
03	REMOVED NOTE	CEL	0241	12/12/96		
02	NOTE #2 WAS #3	BRL	0238	4/3/96	DFT: BRL	SCALE: 1=1
01	ADDED SIZES TO CHART	BRL	0226	1/3/96	DCN: 0215	DRWG: 21DY
NO	DESCRIPTION	DFT	DOC	DATE	DATE: 9/25/1995	A 01 OF 01

NOTE: 1. UNLESS OTHERWISE SPECIFIED, ALL DIMENSIONS SHOWN ARE IN INCHES AND ALL TOLERANCES ARE TO BE: DEC. $\pm .005$; FRAC. $\pm 1/64$; ANGLES $\pm 1/2^\circ$.
 2. L = FRAME HEIGHT - 2 11/16".
 '07 CDHF, L = FRAME HEIGHT - 3 15/32".

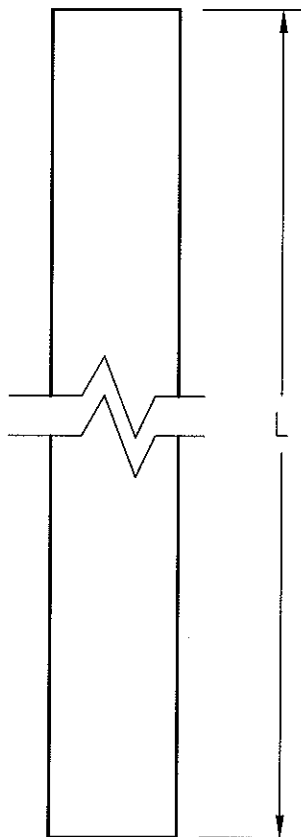


Test sample complies with these details.
 Deviations are noted.

Report# 73122, 73110, 72963
 Date 5/24/07 Tech TG



2



CDHF & WDHF	
FRAME HEIGHT	L
12	9 5/16
14	11 5/16
16	13 5/16
18	15 5/16
20	17 5/16
22	19 5/16
24	21 5/16
36	33 5/16
40	37 5/16
48	45 5/16
54	51 5/16
60	57 5/16
66	63 5/16
72	69 5/16
78	75 5/16

'07 CDHF	
FRAME HEIGHT	L
12	8 17/32
14	10 17/32
16	12 17/32
18	14 17/32
20	16 17/32
22	18 17/32
24	20 17/32
36	32 17/32
40	36 17/32
48	44 17/32
54	50 17/32
60	56 17/32
66	62 17/32
72	68 17/32
78	74 17/32

THIS DRAWING AND ITS CONTENTS ARE THE PROPERTY OF EAGLE WINDOW & DOOR. NO USE OR REPRODUCTION OF THE CONTENTS OF THIS DOCUMENT IS PERMITTED WITHOUT THE EXPRESS WRITTEN PERMISSION OF EAGLE WINDOW & DOOR.

TITLE: CDHF/WDHF
 JAMBLINER FILLER BLOCK

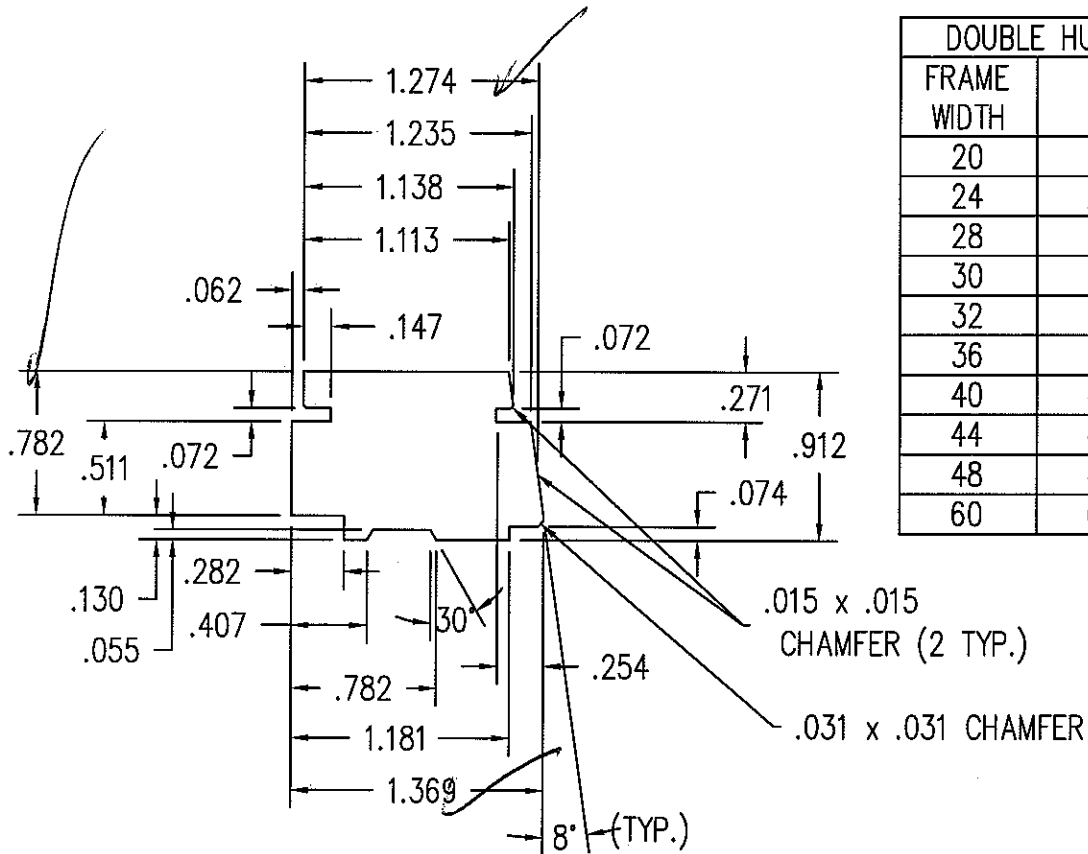
FINISH:

MATL: CLEAR PINE

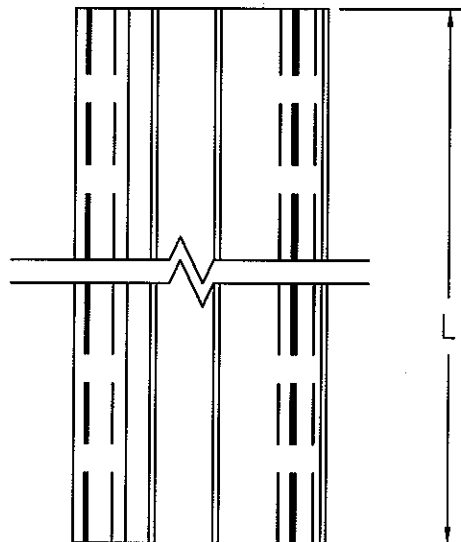


02	ADDED '07 CHART	TWN	0881	4/16/07	DFT:	JMH	SCALE:	1=1
01	R'VSD DIMENSION .078 WAS .087	TWN	0844	1/21/04	DCN:	0501	DRWG:	21X7
NO	DESCRIPTION	DFT	DOC	DATE	DATE:	10/18/2000	A	01 OF 01

NOTE: 1. UNLESS OTHERWISE SPECIFIED, ALL DIMENSIONS SHOWN ARE IN INCHES AND ALL TOLERANCES ARE TO BE: DEC. ± 0.005 ; FRAC. $\pm 1/64$; ANGLES $\pm 1/2^\circ$.
 2. L = FRAME WIDTH.



DOUBLE HUNG	
FRAME WIDTH	L
20	20
24	24
28	28
30	30
32	32
36	36
40	40
44	44
48	48
60	60



Architectural Testing

Test sample complies with these details.
 Deviations are noted.

Report# 73122, 73110, 72963
 Date 5/29-6/1/07 Tech 16

THIS DRAWING AND ITS CONTENTS ARE THE PROPERTY OF EAGLE WINDOW & DOOR. NO USE OR REPRODUCTION OF THE CONTENTS OF THIS DOCUMENT IS PERMITTED WITHOUT THE EXPRESS WRITTEN PERMISSION OF EAGLE WINDOW & DOOR.

TITLE: '07 DOUBLE HUNG
 THERMAL BLOCK

FINISH: PRESERVATIVE

MATL: EDGE GLUED AND
 FINGER JOINTED PINE

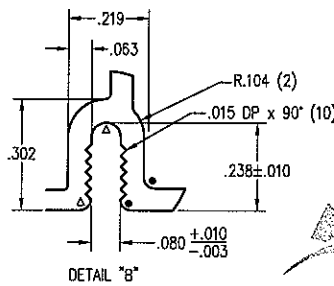
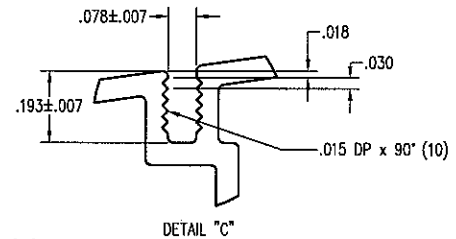
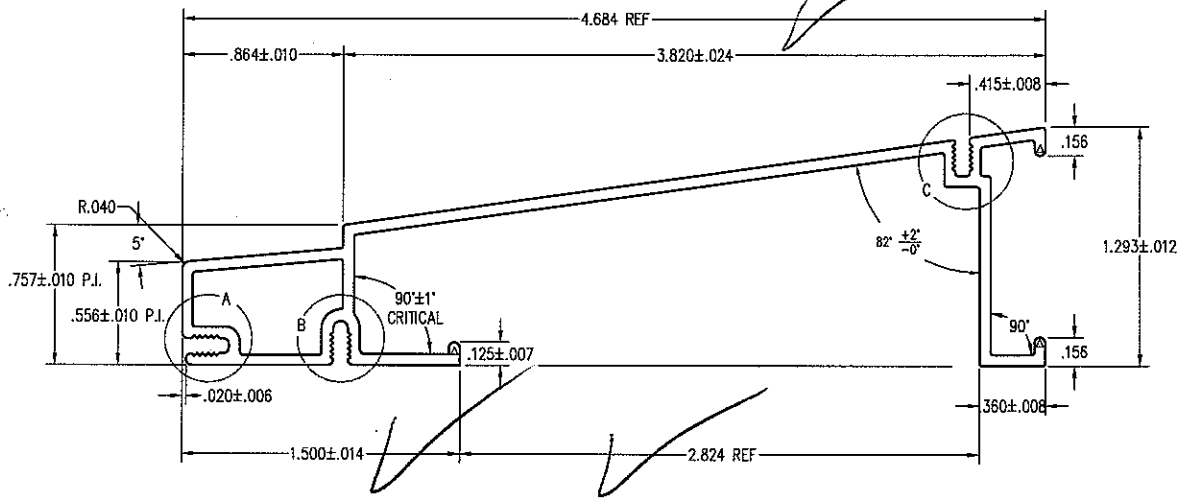
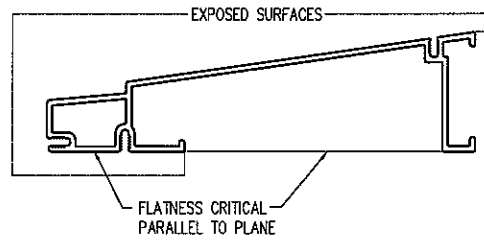
DFT: tnies SCALE: 1=1

DCN: 0881 DRWG: 20F1

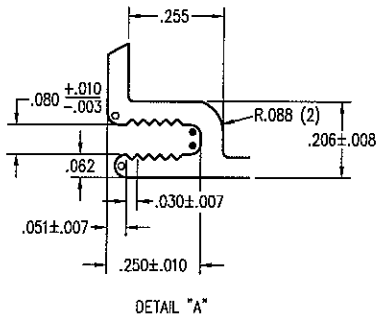
DATE: 9/28/2006 A 01 OF 01

01	UPDATED PROFILE	KJS	0881	1/4/07
NO	DESCRIPTION	DFT	DOC	DATE

- NOTE: 1. UNLESS OTHERWISE SPECIFIED, ALL DIMENSIONS SHOWN ARE IN INCHES AND ALL TOLERANCES ARE TO BE: DEC. $\pm .005$; FRAC. $\pm 1/64$; ANGLES $\pm 1/2^\circ$.
 2. UNLESS OTHERWISE SPECIFIED, WALL THICKNESS IS $.060$.
 3. UNLESS OTHERWISE SPECIFIED BREAK ALL CORNERS $.015$ RADIUS.
 4. AREA = $.572$ SQIN
 5. MILL PART NO. = # M5746 ,
 6. BON-L # EWD-285



- R .028 (6)
- R .031 (2)
- × R .062 (0)
- △ FULL RAD.(4)

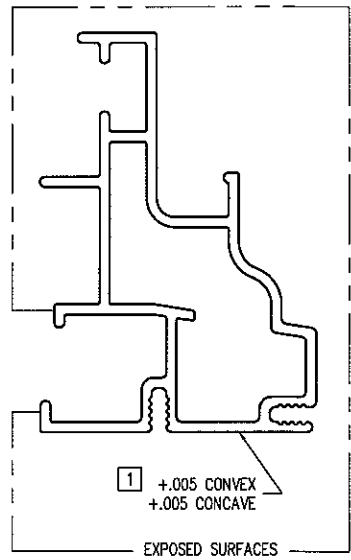
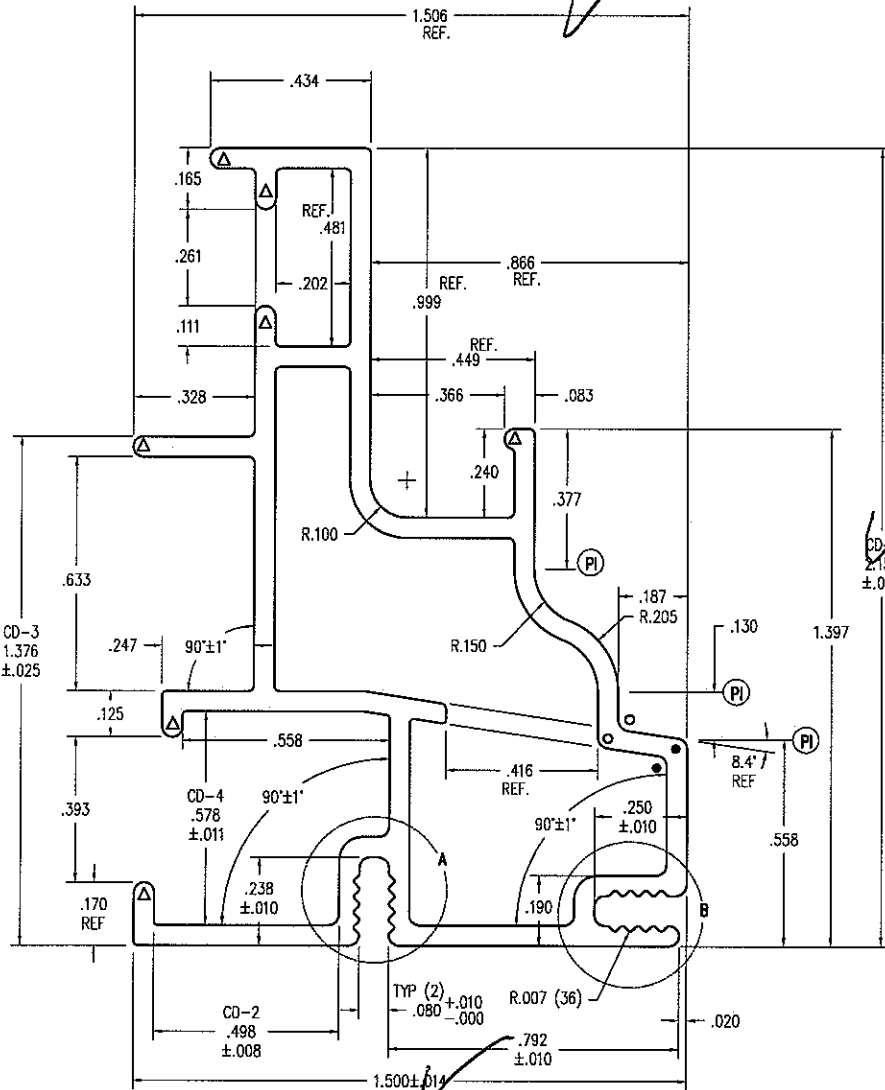


Architectural Testing
 Test sample complies with these details.
 Deviations are noted.
 Report# 73122, 73110, 72963
 Date 5/29-6/4/07 Tech. TG

THIS DRAWING AND ITS CONTENTS ARE THE PROPERTY OF EAGLE WINDOW & DOOR. NO USE OR REPRODUCTION OF THE CONTENTS OF THIS DOCUMENT IS PERMITTED WITHOUT THE EXPRESS WRITTEN PERMISSION OF EAGLE WINDOW & DOOR.	
TITLE: CDHV/CDHF/CSW	
FINISH: EAGLE'S STD. COLORS	
MATERIAL: 6063 T-6 ALUMINUM	
DFT: PJB	SCALE: 1=1
DCN: 0734	DRWC: AS/1
DATE: 7/23/2002	C 01 OF 02

NO	DESCRIPTION	DFT	DOC	DATE

- NOTE: 1. UNLESS OTHERWISE SPECIFIED, ALL DIMENSIONS SHOWN ARE IN INCHES AND ALL TOLERANCES ARE TO BE: DEC. ± 0.005 ; FRAC. $\pm 1/64$; ANGLES $\pm 1/2^\circ$.
 2. UNLESS OTHERWISE SPECIFIED, WALL THICKNESS IS $.055$.
 3. UNLESS OTHERWISE SPECIFIED, BREAK ALL CORNERS $.010$ RADIUS.
 4. AREA = $.463$ SQ. IN.
 5. MILL PART NO. = #M5740

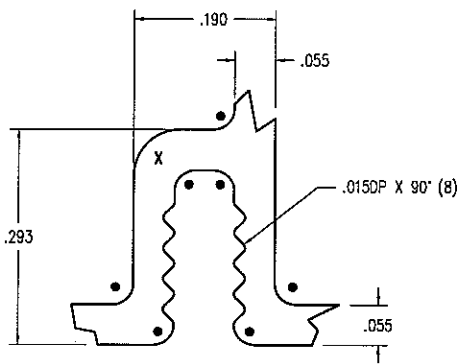


- R .028 (13)
- R .031 (3)
- X R .082 (2)
- △ FULL RAD.(5)

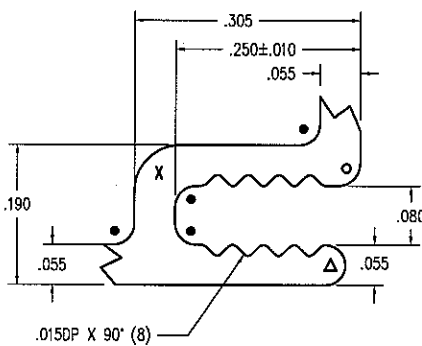
Architectural Testing

Test sample complies with these details. Deviations are noted.

Report # 23123-23110-22863
 Date 5/29/44 Tech 16



DETAIL "A"

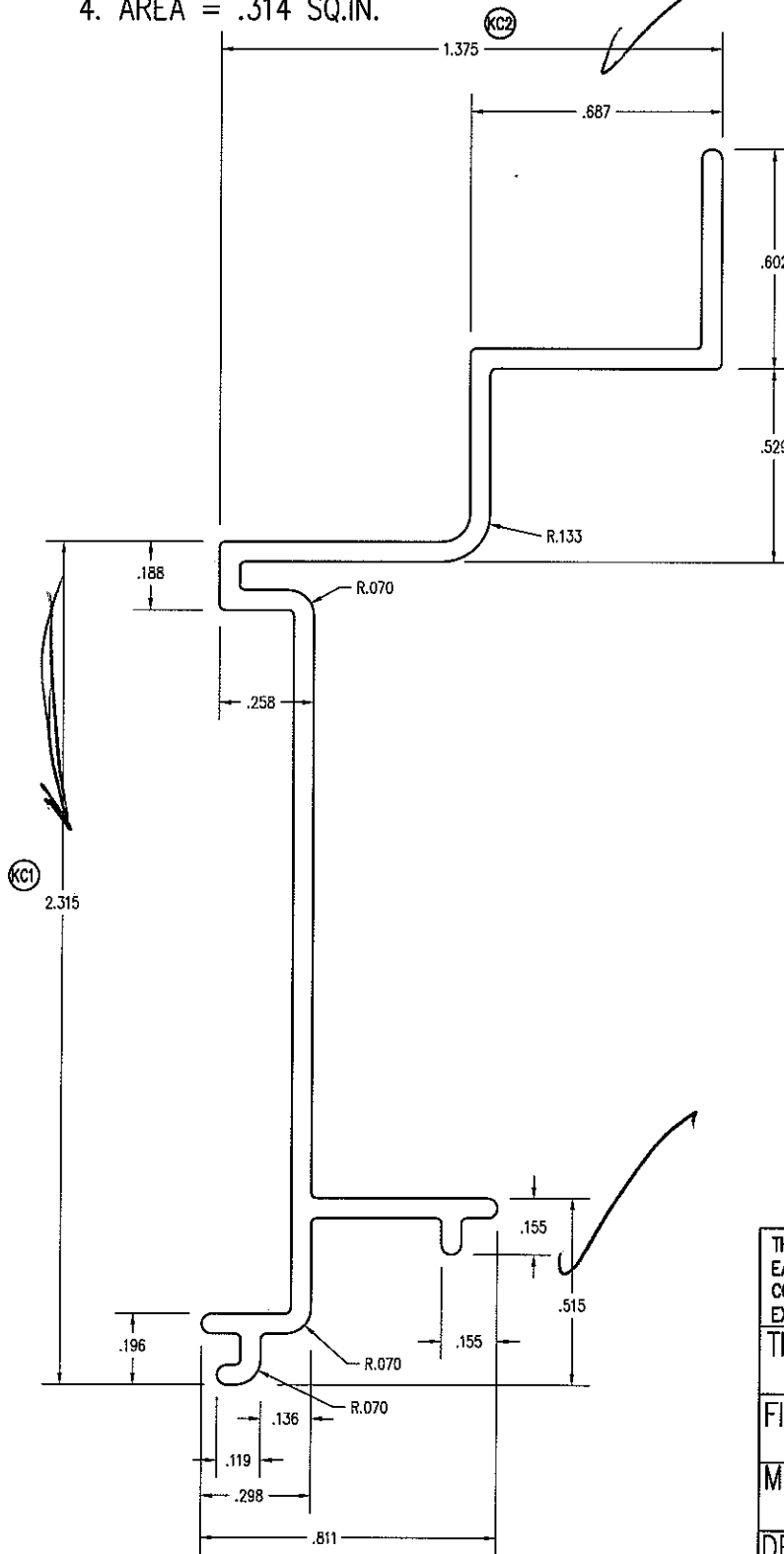


DETAIL "B"

THIS DRAWING AND ITS CONTENTS ARE THE PROPERTY OF EAGLE WINDOW & DOOR. NO USE OR REPRODUCTION OF THE CONTENTS OF THIS DOCUMENT IS PERMITTED WITHOUT THE EXPRESS WRITTEN PERMISSION OF EAGLE WINDOW & DOOR.
 TITLE: CDH/CDF/CSW
 HEAD / SIDE FRAME COVER
 FINISH: EAGLE'S STD. COLORS
 MATL: 6063 1-6 ALUMINUM

01	ADDED/CHG'D DIM. & TOLERANCE	TWN	0778	14/4/2003	DCN:	0667	DRWG:	A514
NO	DESCRIPTION	DFT	DOC	DATE	DATE:	11/77/2001	C	01 OF 03

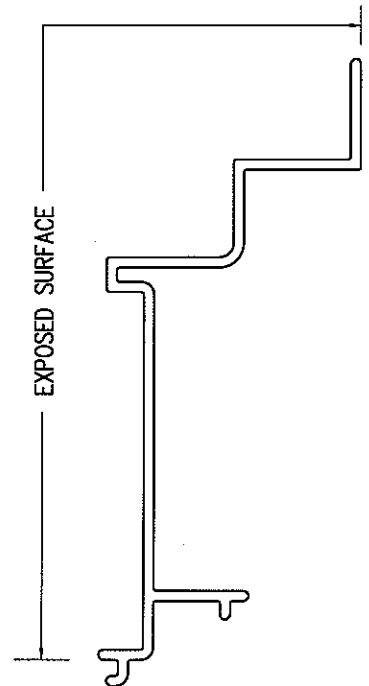
- NOTE: 1. UNLESS OTHERWISE SPECIFIED, ALL DIMENSIONS SHOWN ARE IN INCHES AND ALL TOLERANCES ARE TO BE: DEC. ± 0.005 ; FRAC. $\pm 1/64$; ANGLES $\pm 1/2^\circ$.
2. UNLESS OTHERWISE SPECIFIED, WALL THICKNESS IS .055.
3. UNLESS OTHERWISE SPECIFIED, BREAK ALL CORNERS .015 RADIUS.
4. AREA = .314 SQ.IN.



Architectural Testing

Test sample complies with these details.
Deviations are noted.

Report# 73110, 73122, 72963
Date 5/29-6/1/07 Tech. 46



THIS DRAWING AND ITS CONTENTS ARE THE PROPERTY OF EAGLE WINDOW & DOOR. NO USE OR REPRODUCTION OF THE CONTENTS OF THIS DOCUMENT IS PERMITTED WITHOUT THE EXPRESS WRITTEN PERMISSION OF EAGLE WINDOW & DOOR.

TITLE: CDHF/CDHT
HEAD STOP EXTRUSION

FINISH: EAGLE'S STD. COLORS

MATL: 6063 T-6 ALUMINUM

DFT: PJB SCALE: 2=1

DCN: 0667 DRWG: A51B

DATE: 1/14/02 A 01 OF 02

NO	DESCRIPTION	DFT	DOC	DATE

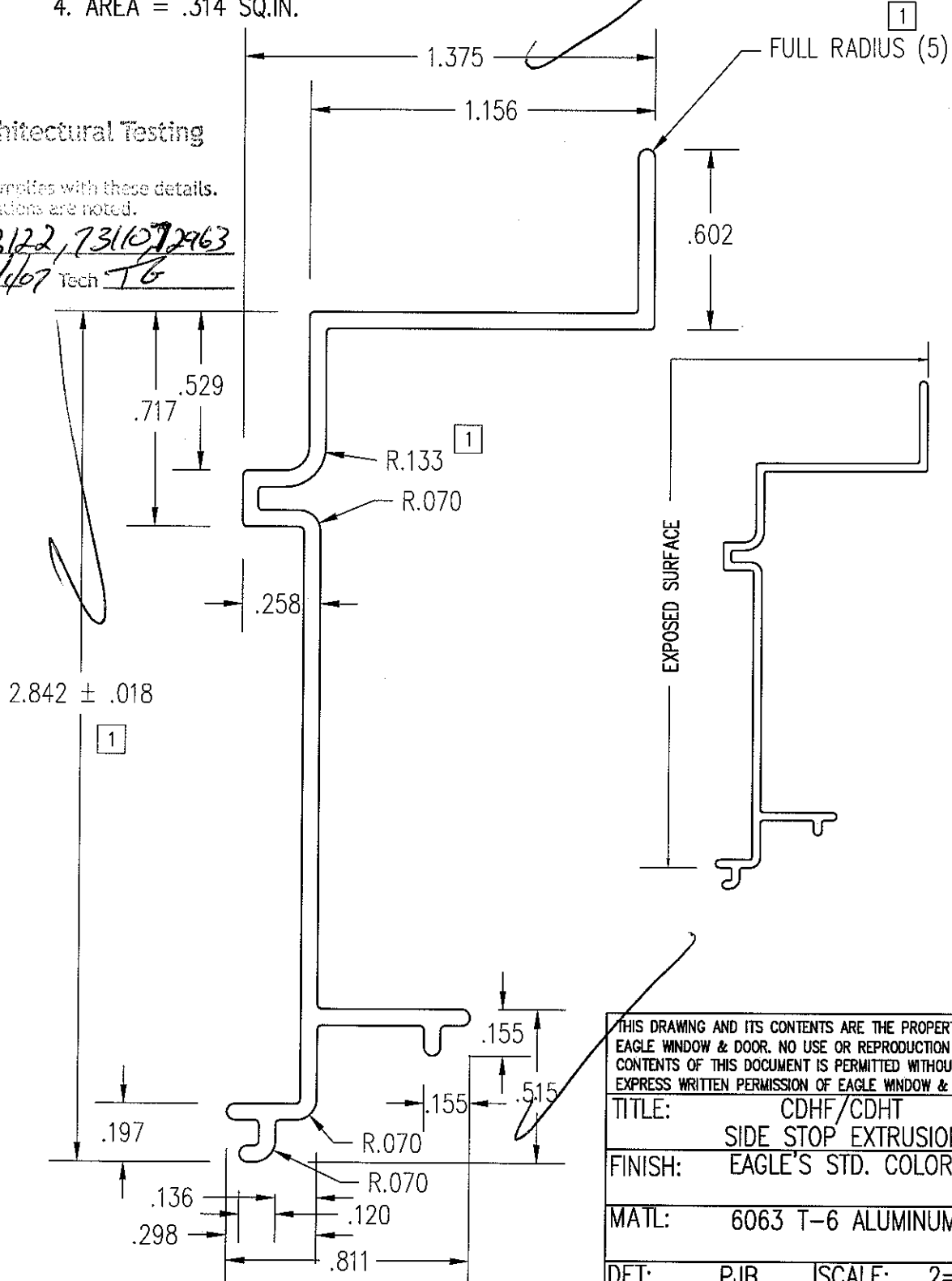
- NOTE: 1. UNLESS OTHERWISE SPECIFIED, ALL DIMENSIONS SHOWN ARE IN INCHES AND ALL TOLERANCES ARE TO BE: DEC. ± 0.005 ; FRAC. $\pm 1/64$; ANGLES $\pm 1/2^\circ$.
 2. UNLESS OTHERWISE SPECIFIED, WALL THICKNESS IS $.055$.
 3. UNLESS OTHERWISE SPECIFIED, BREAK ALL CORNERS $.015$ RADIUS.
 4. AREA = $.314$ SQ.IN.



Architectural Testing

Test sample complies with these details.
 Deviations are noted.

Report# 73122, 73107, 2963
 Date 5/29-6/1/07 Tech TG



THIS DRAWING AND ITS CONTENTS ARE THE PROPERTY OF EAGLE WINDOW & DOOR. NO USE OR REPRODUCTION OF THE CONTENTS OF THIS DOCUMENT IS PERMITTED WITHOUT THE EXPRESS WRITTEN PERMISSION OF EAGLE WINDOW & DOOR.

TITLE:	CDHF/CDHT	
	SIDE STOP EXTRUSION	
FINISH:	EAGLE'S STD. COLORS	
MATL:	6063 T-6 ALUMINUM	
DFT:	PJB	SCALE: 2=1
DCN:	0667	DRWG: A51C
DATE:	1/14/2002	A 01 OF 02

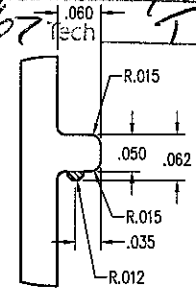
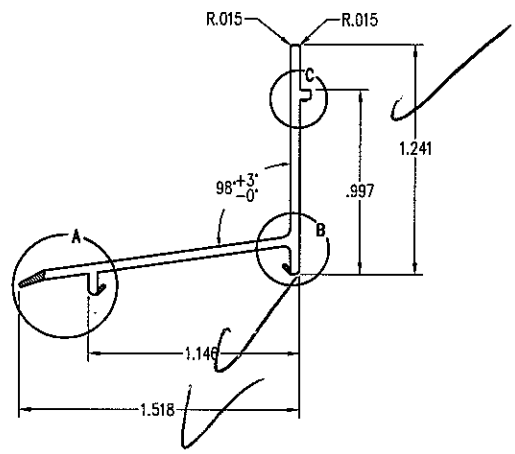
NO	DESCRIPTION	DFT	DOC	DATE
01	UPDATE & ADD DIMENSIONS	KJS	BOM	1/29/07

- NOTE: 1. UNLESS OTHERWISE SPECIFIED, ALL DIMENSIONS SHOWN ARE IN INCHES AND ALL TOLERANCES ARE TO BE: DEC. ± 0.005 ; FRAC. $\pm 1/64$; ANGLES $\pm 1/2^\circ$.
 2. TYPICAL RIGID WALL THICKNESS; .050.
 3. TYPICAL FLEXIBLE WALL THICKNESS; .020.

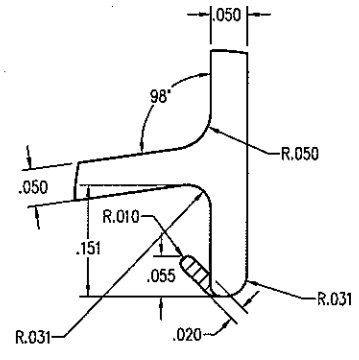
Architectural Testing

Test sample complies with these details.
 Deviations are noted.

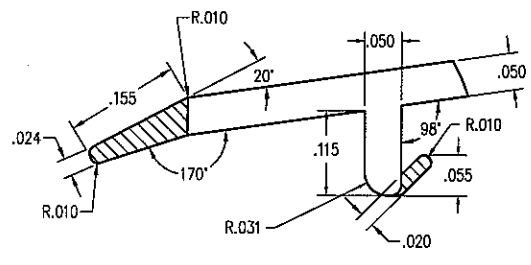
Report# 73177, 73110, 72963
 Date 5/29-6/1/07 Tech TB



DETAIL C
 SCALE X 4



DETAIL B
 SCALE X 4



DETAIL A
 SCALE X 4

TOLERANCES (UNLESS NOTED)	
.000 - .125	± 0.010
.125 - .500	± 0.015
.500 - 2.00	± 0.020
2.00 - 4.00	± 0.030
4.00 - 5.00	± 0.040
WALLS	± 0.005
ANGLES	$\pm 1/2^\circ$

THIS DRAWING AND ITS CONTENTS ARE THE PROPERTY OF EAGLE WINDOW & DOOR. NO USE OR REPRODUCTION OF THE CONTENTS OF THIS DOCUMENT IS PERMITTED WITHOUT THE EXPRESS WRITTEN PERMISSION OF EAGLE WINDOW & DOOR.

TITLE: '07 SILL WATER DAM

FINISH:

MATL: BEIGE VINYL

DFT: ksmith SCALE: 1=1
 DCN: 0881 DRWG: A74H

NO	DESCRIPTION	DFT	DOC	DATE
				DATE: 2/26/2007 C 01 OF 02

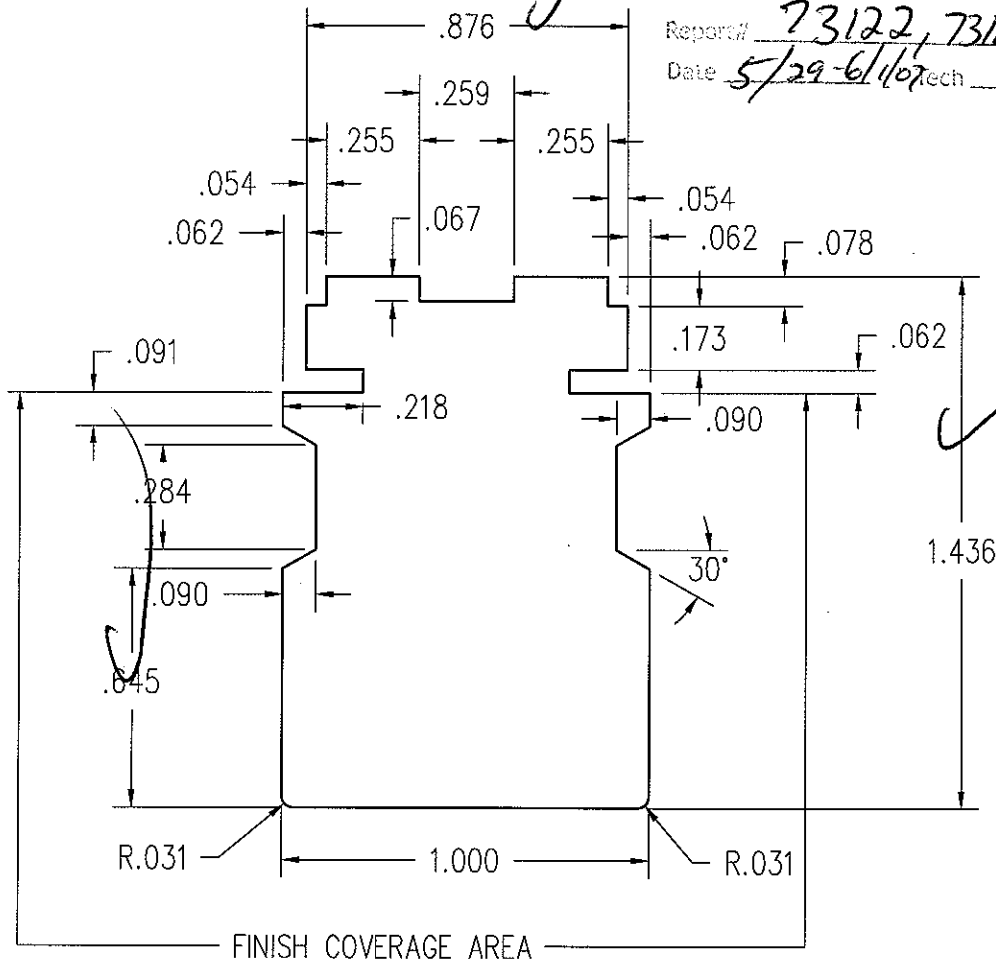
NOTE: 1. UNLESS OTHERWISE SPECIFIED, ALL DIMENSIONS SHOWN ARE IN INCHES AND ALL TOLERANCES ARE TO BE: DEC. ± 0.005 ; FRAC. $\pm 1/64$; ANGLES $\pm 1/2^\circ$.



Architectural Testing

Test sample complies with these details.
Deviations are noted.

Report# 73122, 73110, 72963
Date 5/29-6/1/07 Tech TG



THIS DRAWING AND ITS CONTENTS ARE THE PROPERTY OF EAGLE WINDOW & DOOR. NO USE OR REPRODUCTION OF THE CONTENTS OF THIS DOCUMENT IS PERMITTED WITHOUT THE EXPRESS WRITTEN PERMISSION OF EAGLE WINDOW & DOOR.

TITLE: '07 CDHV/CSHV - STILE/RAIL

FINISH: PRESERVATIVE

MATL: CLEAR PINE

DFT: ksmith SCALE: 2=1

DCN: 0881 DRWG: 20F4

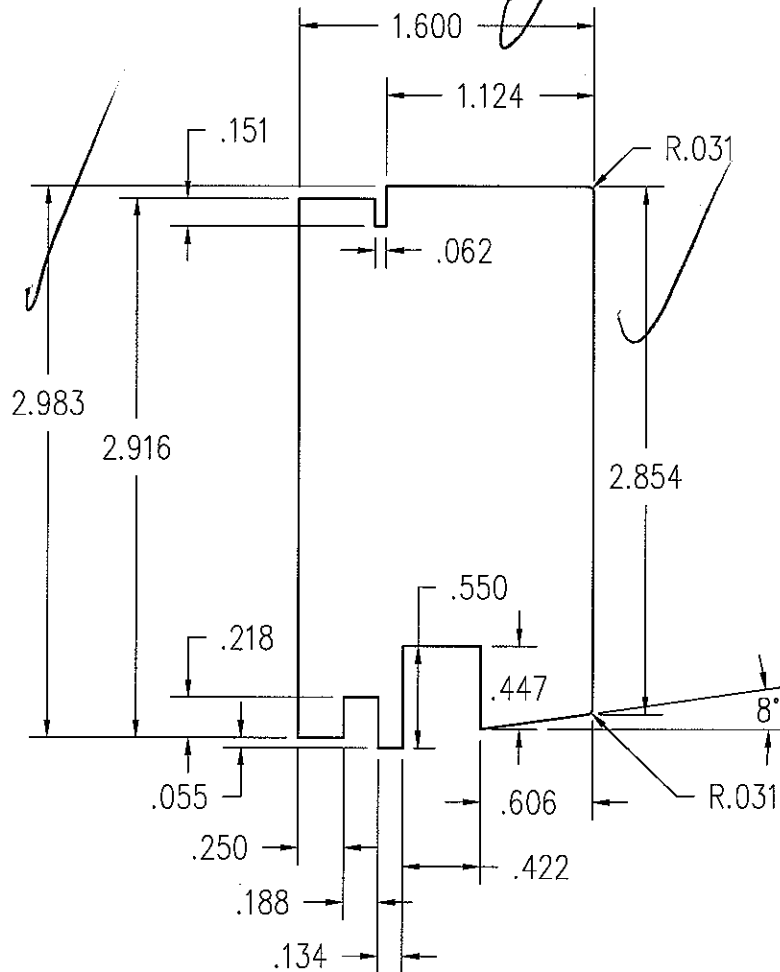
NO	DESCRIPTION	DFT	DOC	DATE
				DATE: 1/4/2007
				A 01 OF 06

NOTE: 1. UNLESS OTHERWISE SPECIFIED, ALL DIMENSIONS SHOWN ARE IN INCHES AND ALL TOLERANCES ARE TO BE: DEC. ± 0.005 ; FRAC. $\pm 1/64$; ANGLES $\pm 1/2^\circ$.

Architectural Testing

Test sample complies with these details.
Deviations are noted.

Report# 73110, 73122, 72963
Date _____ Tech _____



THIS DRAWING AND ITS CONTENTS ARE THE PROPERTY OF EAGLE WINDOW & DOOR. NO USE OR REPRODUCTION OF THE CONTENTS OF THIS DOCUMENT IS PERMITTED WITHOUT THE EXPRESS WRITTEN PERMISSION OF EAGLE WINDOW & DOOR.

TITLE: '07 CDHV, CDHF
WIDE RAIL

FINISH:

MATL: CLEAR PINE

DFT: tnies SCALE: 1=1

DCN: 0881 DRWG: 20E8

DATE: 9/29/2006 A 01 OF 02

NO	DESCRIPTION	DFT	DOC	DATE

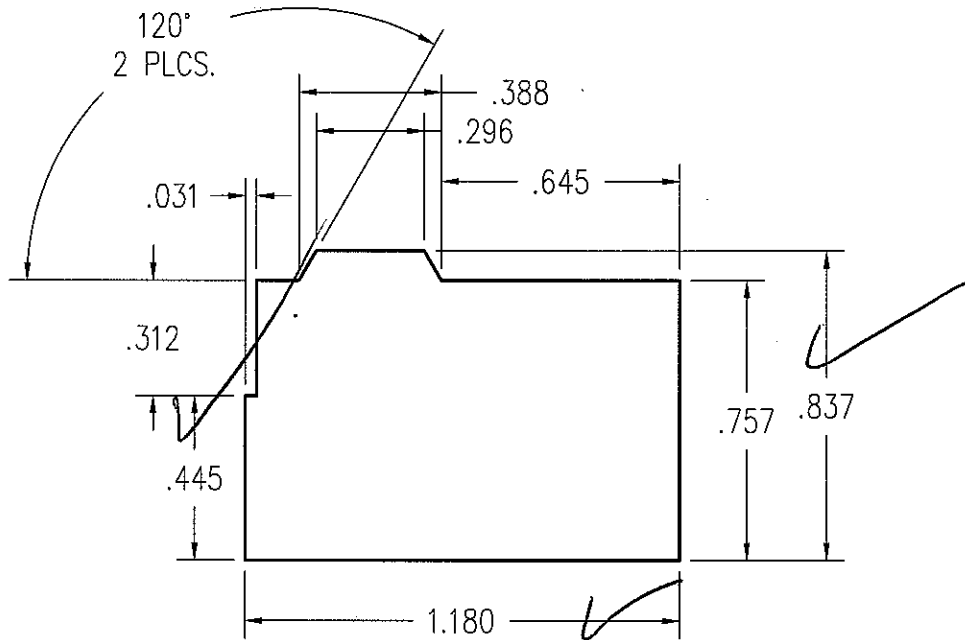
NOTE: 1. UNLESS OTHERWISE SPECIFIED, ALL DIMENSIONS SHOWN ARE IN INCHES AND ALL TOLERANCES ARE TO BE: DEC. ± 0.005 ; FRAC. $\pm 1/64$; ANGLES $\pm 1/2^\circ$.



Architectural Testing

Test sample complies with these details.
Deviations are noted.

Report# 73110, 73122, 72963
Date 5/29-6/16/07 Tech 16



THIS DRAWING AND ITS CONTENTS ARE THE PROPERTY OF EAGLE WINDOW & DOOR. NO USE OR REPRODUCTION OF THE CONTENTS OF THIS DOCUMENT IS PERMITTED WITHOUT THE EXPRESS WRITTEN PERMISSION OF EAGLE WINDOW & DOOR.

TITLE: '07 CDHF, CDHT
HEAD & SIDE STOP SUPPORT

FINISH:

MATL: PINE-FINGER JOINT

DFT: ksmith SCALE: 2=1

DCN: 0881 DRWG: 20FD

DATE: 2/1/2007 A 01 OF 04

NO	DESCRIPTION	DFT	DOC	DATE