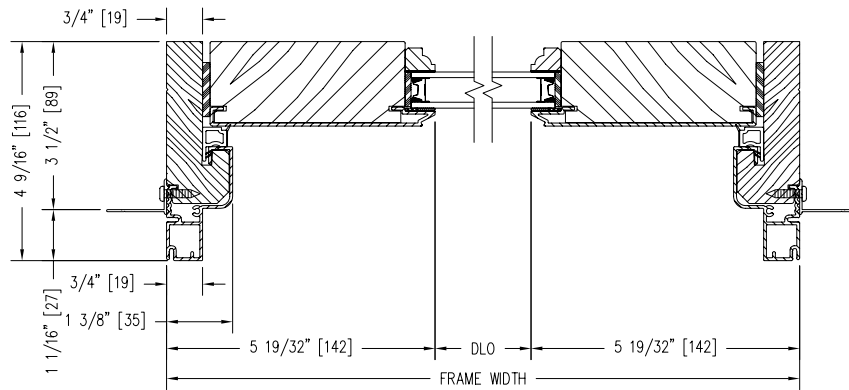
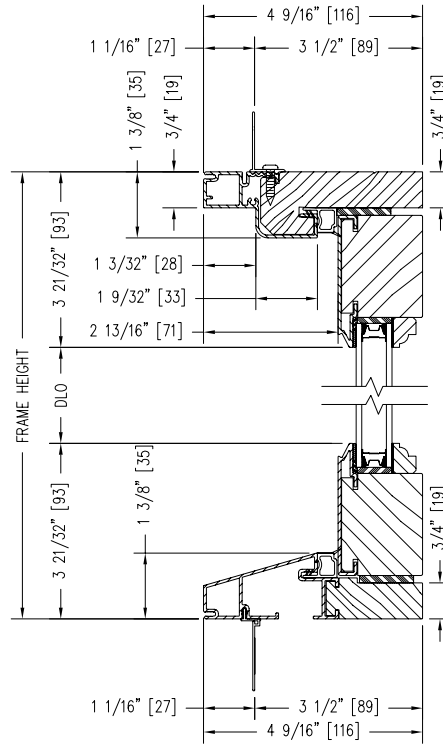


# INSWING TRANSOM (3 1/2") SHOWN WITH ST1 PANEL



**Notes:**

Dynamically configure section details to your specific needs by going to [EagleWindow.com](http://EagleWindow.com), select Wintelligence. Eagle Window & Door reserves the right to change the specifications without notice.

DRAWING # AD3021  
SCALE: 3"-1'-0"  
REVISION: 2/2/09

