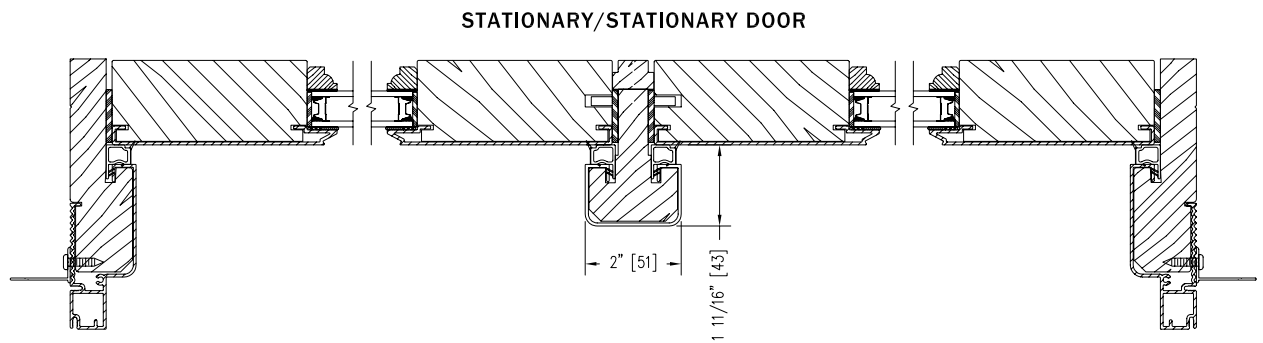
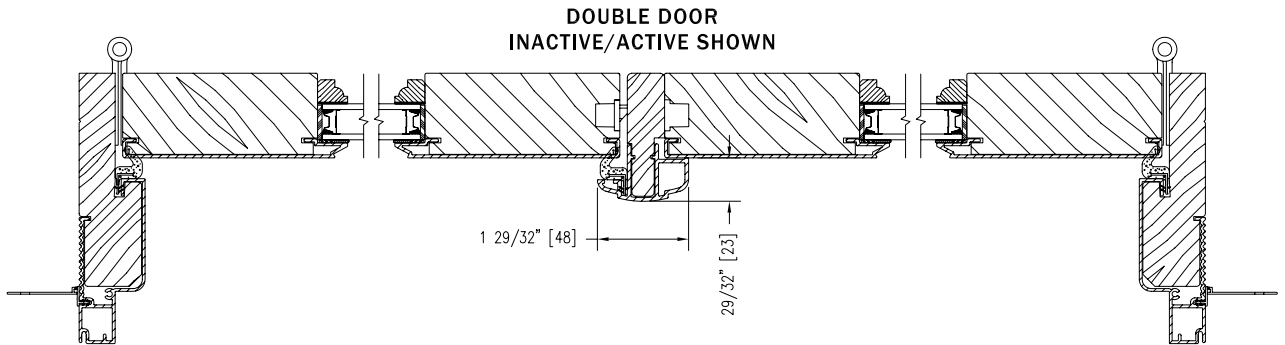
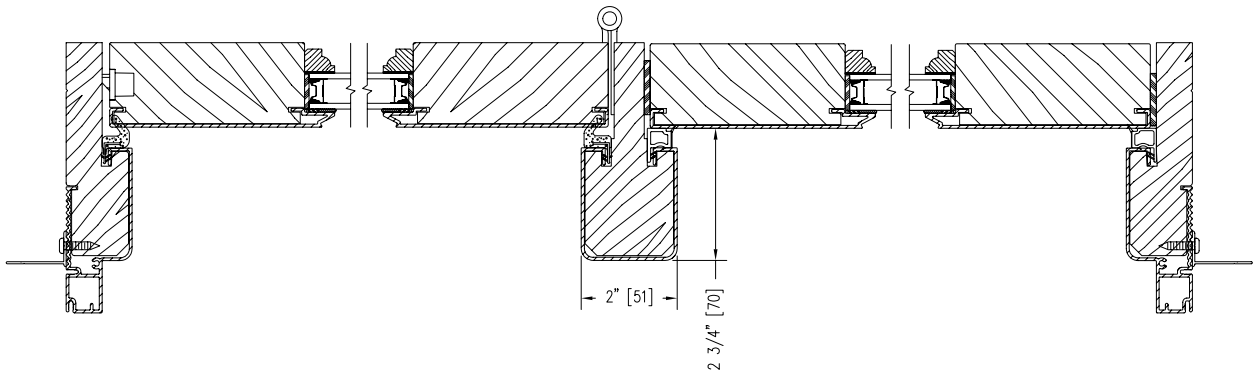


**IN SWING FRENCH DOOR (4 9/16")
 ASTRAGAL & POST OPTIONS
 SP1/SP2 PANEL SHOWN**



**4 9/16\" POST DOOR
 STATIONARY/RIGHT HAND (S/RP) SHOWN
 SEE HANDING CHART ON DRAWING AD3088 FOR MORE OPTIONS**



Notes:

Dynamically configure section details to your specific needs by going to EagleWindow.com, select Wintelligence. Eagle Window & Door reserves the right to change the specifications without notice.

DRAWING # AD3025
 SCALE: 3"=1'-0"
 REVISION: 2/2/09

