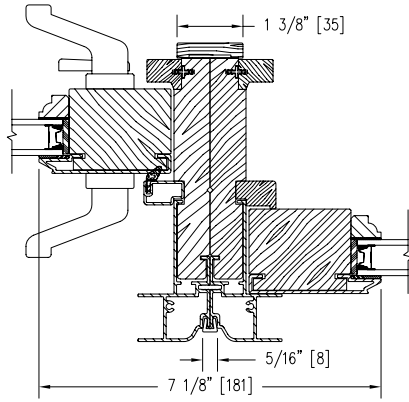
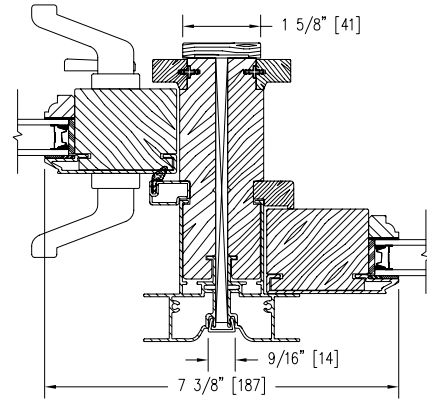


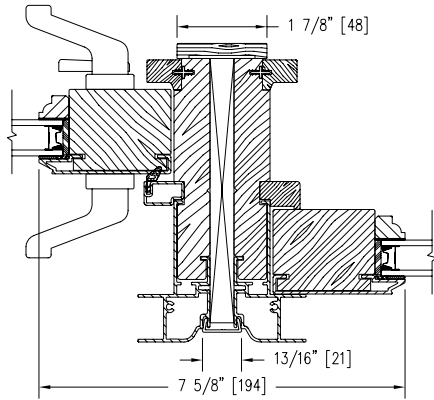
## SLIDING DOOR VERTICAL FACTORY MULLS



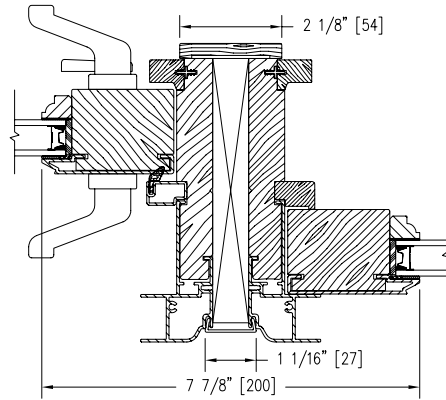
**ZERO MULL**



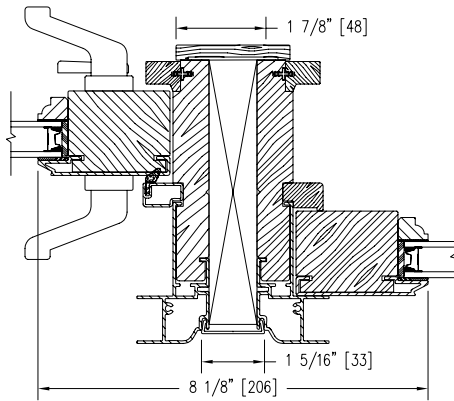
**1/4\"/>**



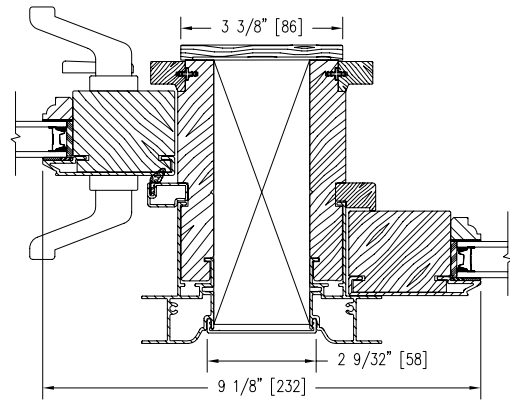
**1/2\"/>**



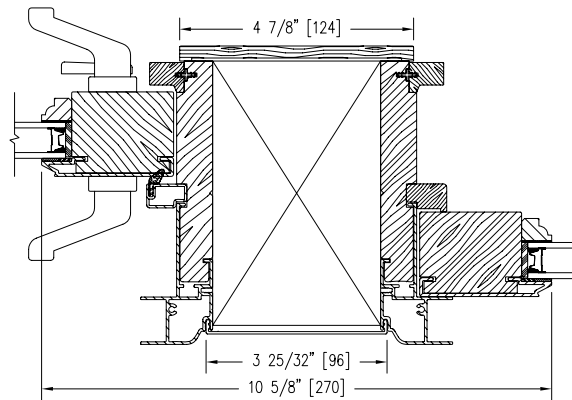
**3/4\"/>**



**1\"/>**



**2\"/>**



**3 1/2\"/>**

**Notes:**

Dynamically configure section details to your specific needs by going to [EagleWindow.com](http://EagleWindow.com), select Wintelligence. Eagle Window & Door reserves the right to change the specifications without notice.

DRAWING # AD3146  
 SCALE: 3"-1'-0"  
 REVISION: 2/2/09

