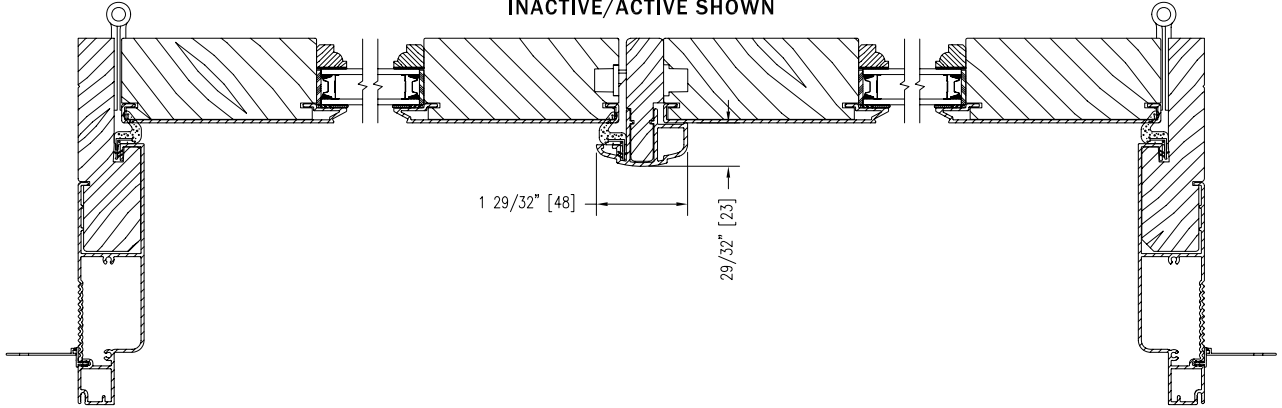
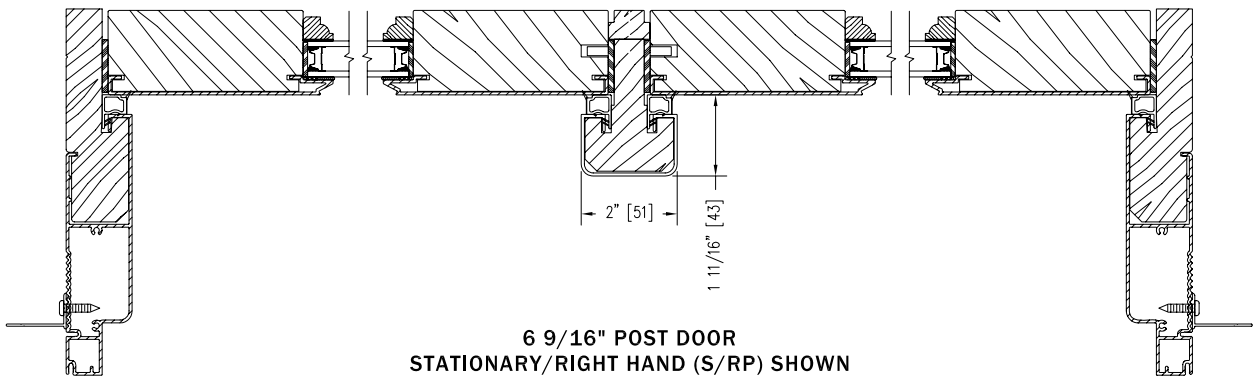


**INSWING FRENCH DOOR (6 9/16")  
 ASTRAGAL & POST OPTIONS  
 SP1/SP2 PANEL SHOWN**

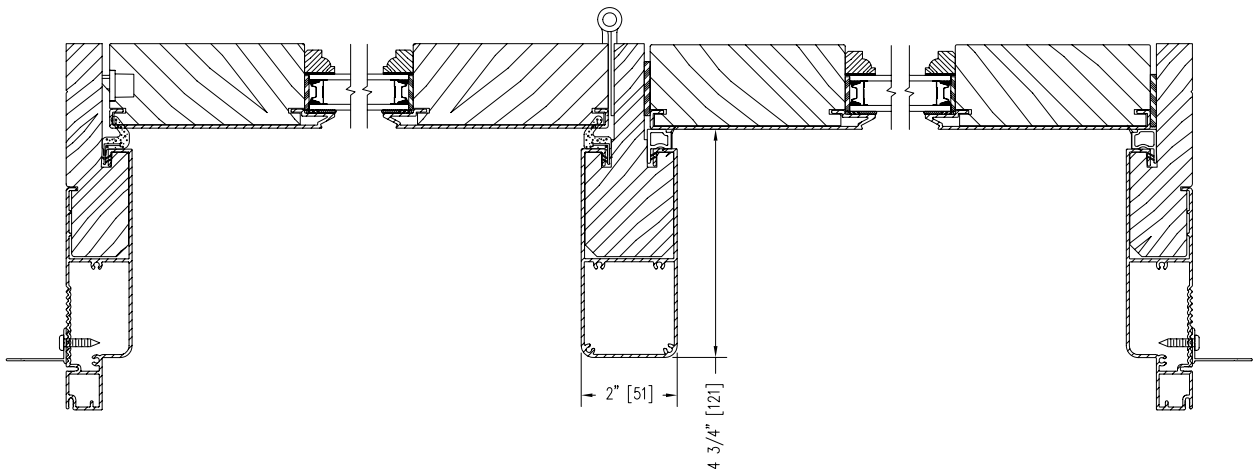
**DOUBLE DOOR  
 INACTIVE/ACTIVE SHOWN**



**STATIONARY/STATIONARY DOOR**



**6 9/16\"/>**



**Notes:**

Dynamically configure section details to your specific needs by going to [EagleWindow.com](http://EagleWindow.com), select Wintelligence. Eagle Window & Door reserves the right to change the specifications without notice.

DRAWING # AD3032  
 SCALE: 3"=1'-0"  
 REVISION: 2/2/09

