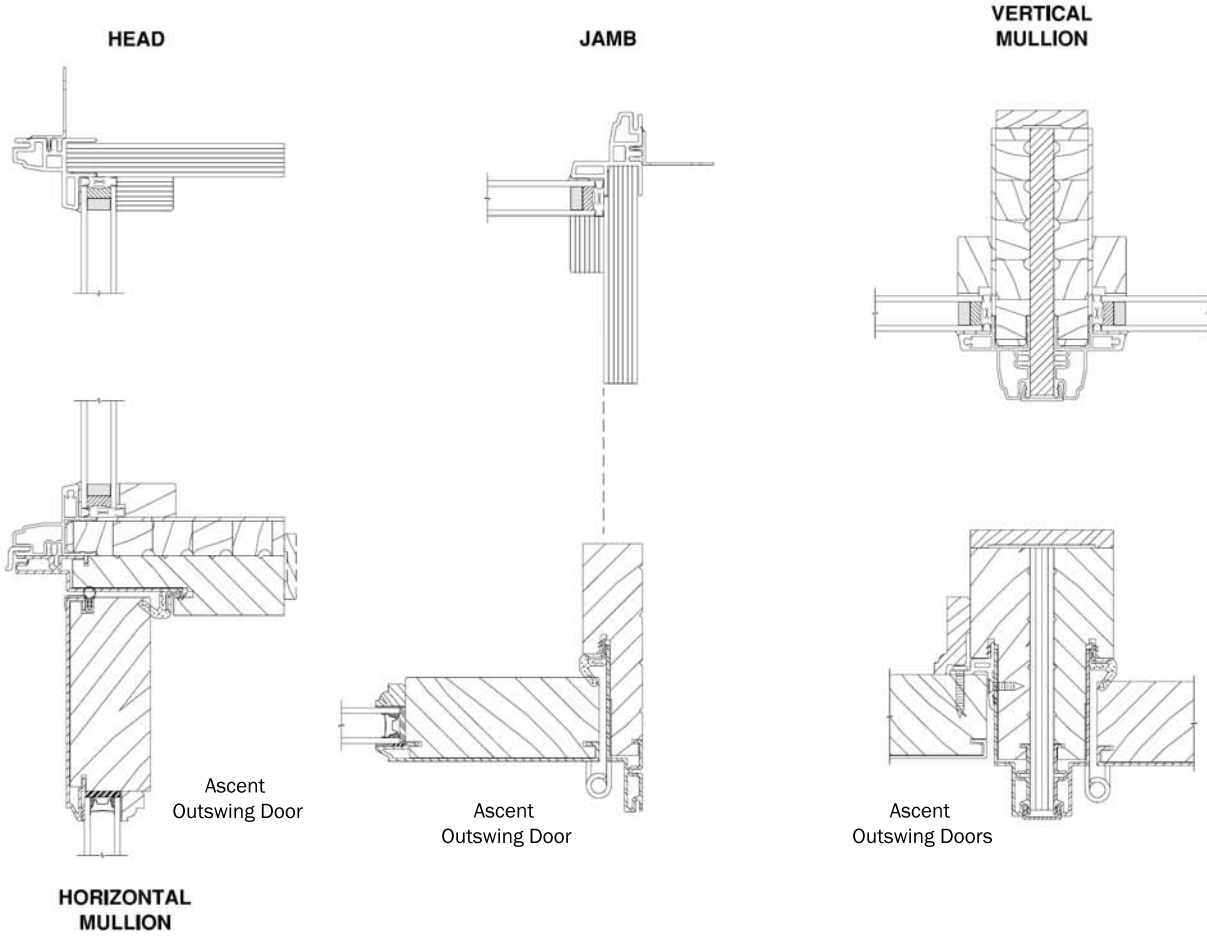
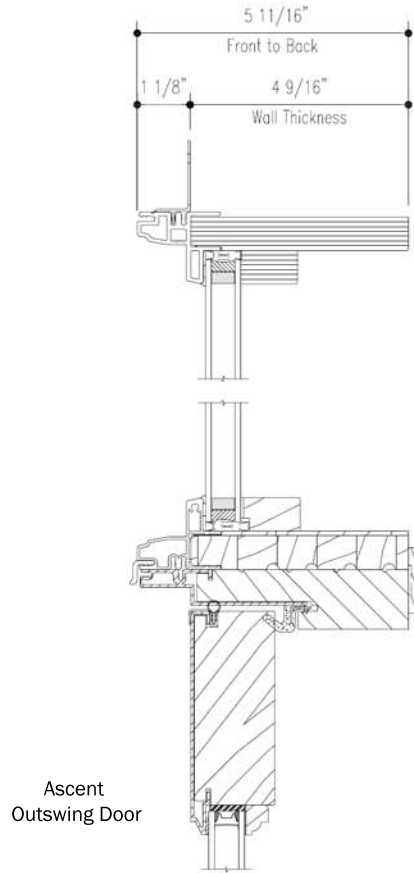


Mulling Details



NOTES

Drawings are not to scale.



NOTES

Drawings are not to scale.