

# Eagle installation clip instructions

These instructions are for typical installation in new typical **wood frame wall construction**. These instructions and methods are not intended for use in other construction types or for replacement installations. These instructions and methods may not be appropriate for a specific installation due to design of the building, construction methods used, building conditions or site conditions, any of which may require different methods or procedures. You and your architect or installing contractor are responsible for determining the method and procedures appropriate to your specific installation.

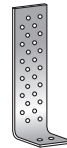
*These instructions are for clad windows or doors only. Installation instructions for other types of doors and windows are available at <http://www.EagleWindow.com>*

## STEP 1

Be sure you have a sufficient supply of installation clips and fasteners.



#8 x 5/8" wood screws  
#8 x 1-1/2" wood screws



Installation clips as  
required by installation

## STEP 2

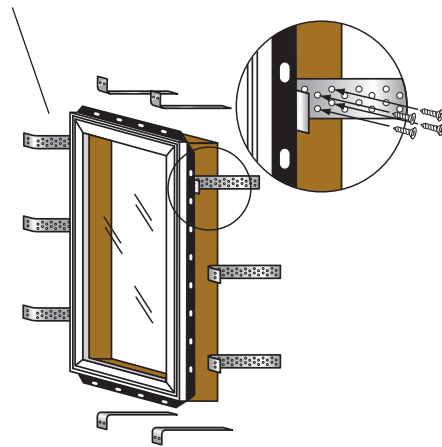
Fasten clip to window or door.

### Installation Clip Requirements:

Installation clips are to be placed 6" from each corner, with appropriate on-center spacing.

All approved impact-resistant applications require minimum 16" on-center spacing between clips. Spacing for non-impact resistant product applications should be determined using the table.

Determine quantity and location of installation clips. Attach clips to window or door using (4) #8 x 5/8" screws.



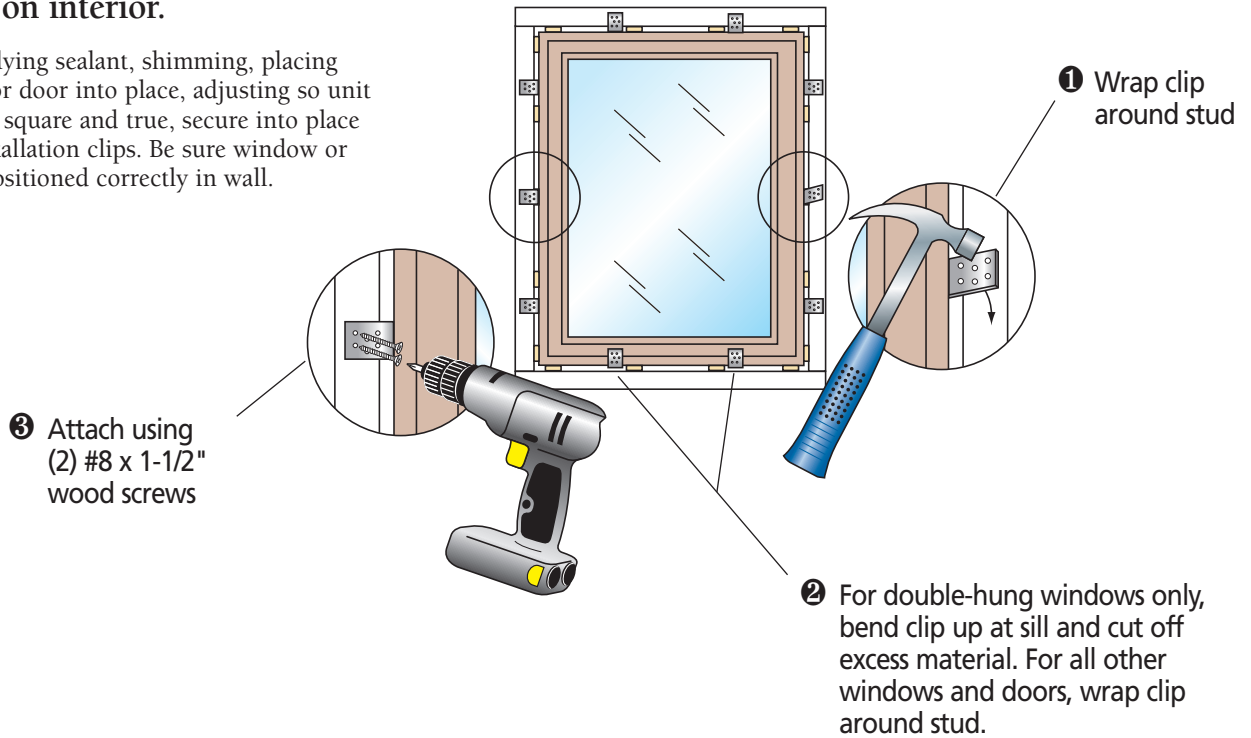
Maximum On-center Spacing for Installation Clips

Maximum On-center Clip Spacing	DP +40, -40	DP +50, -50	DP +60, -60	DP +70, -80
	28"	21"	18"	16"

## STEP 3

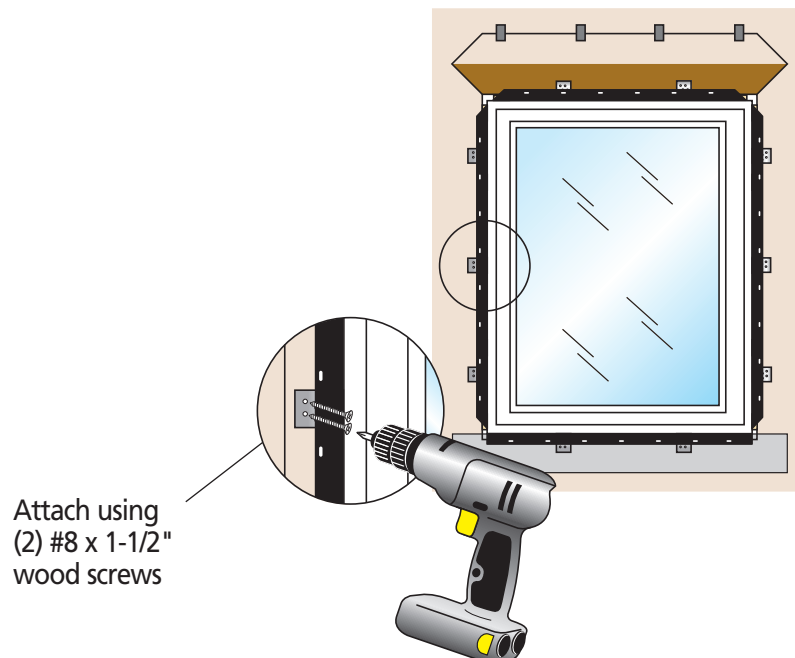
### Secure on interior.

After applying sealant, shimming, placing window or door into place, adjusting so unit is plumb, square and true, secure into place using installation clips. Be sure window or door is positioned correctly in wall.



## STEP 4

### Secure on exterior.



## NOTES

Eagle makes no warranty, expressed or implied, that the methods and procedures described in these instructions are suitable for any particular purpose or installation. These instructions do not add or modify the terms, conditions or limitations of Eagle's manufacturer's warranty.

It is the responsibility of you, your architect or installing contractor to verify compatibility of materials.

ATTENTION: Data included within these instructions are subject to change without notice.

