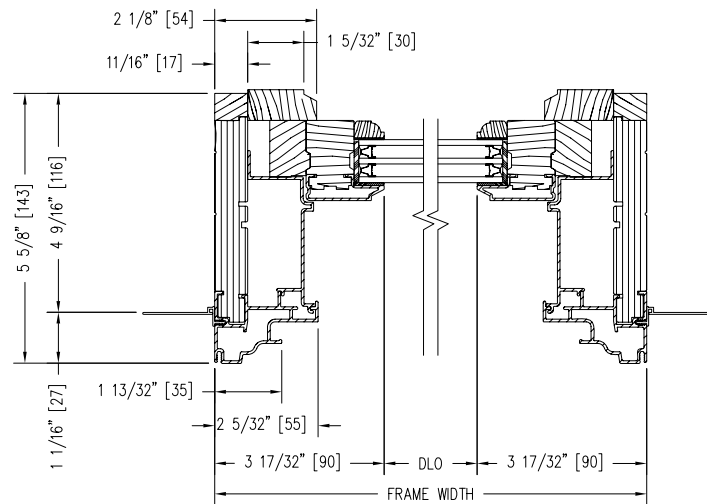
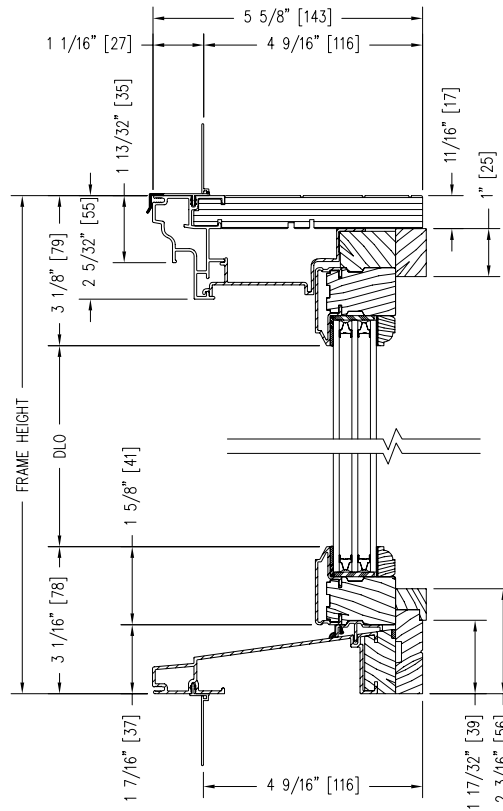


# TRIPLE INSULATED GLASS DOUBLE HUNG TRANSOM



**Notes:**

Dynamically configure section details to your specific needs by going to [EagleWindow.com](http://EagleWindow.com), select Wintelligence. Eagle Window & Door reserves the right to change the specifications without notice.

DRAWING # AD3162  
SCALE: 3"-1'-0"  
REVISION: 4/14/09

