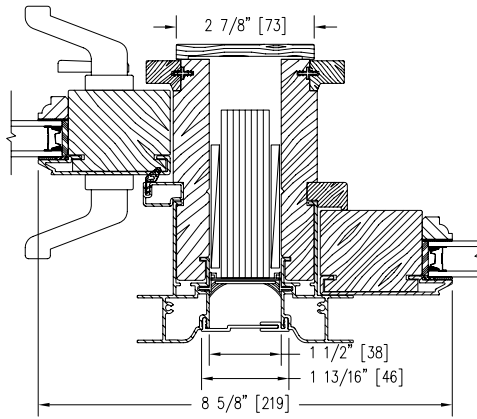
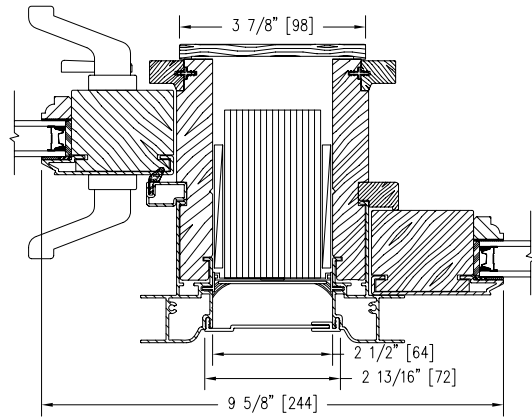


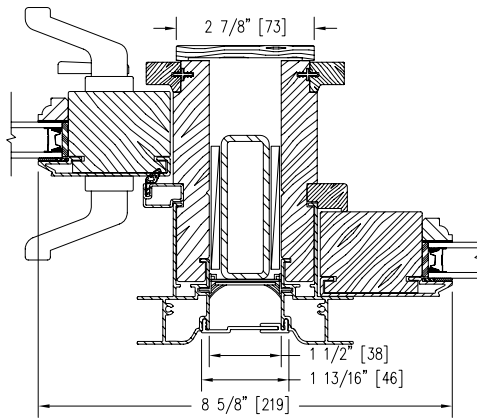
# SLIDING DOOR REINFORCED VERTICAL FIELD MULLS



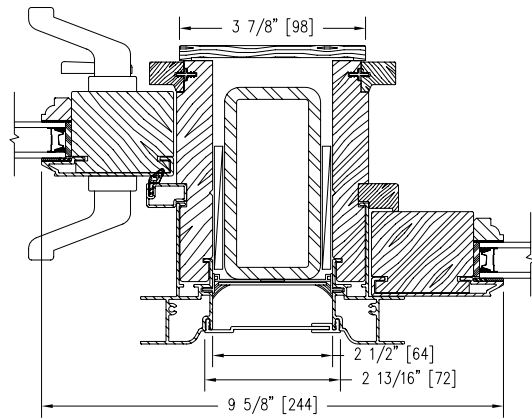
1" x 3 1/2" LVL MULL



2" x 3 1/2" LVL MULL



1" x 3" TUBE STEEL MULL



2" x 4" TUBE STEEL MULL

**Notes:**

Dynamically configure section details to your specific needs by going to [EagleWindow.com](http://EagleWindow.com), select Wintelligence. Eagle Window & Door reserves the right to change the specifications without notice.

DRAWING # AD3149  
SCALE: 3"-1'-0"  
REVISION: 2/2/09

