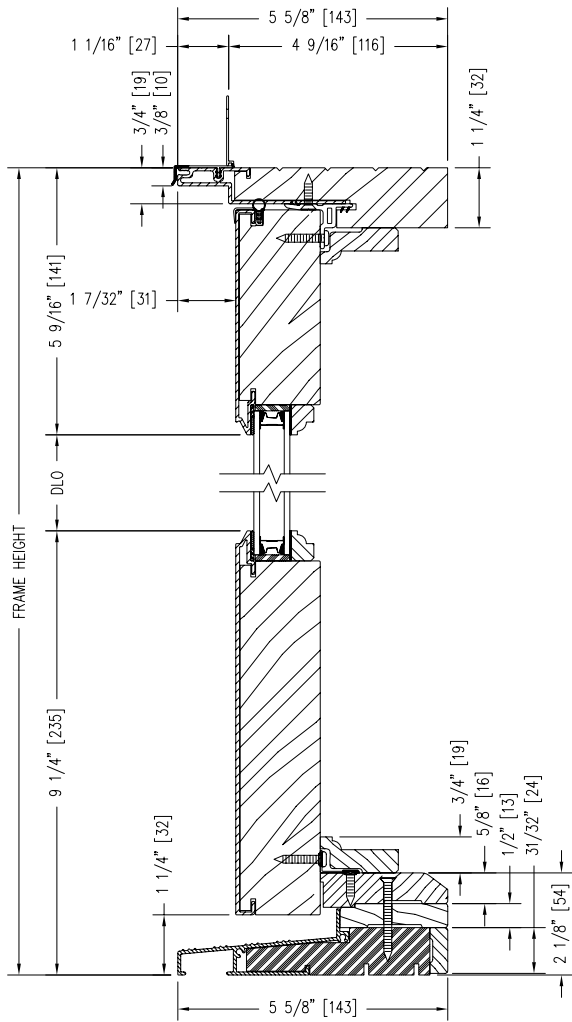
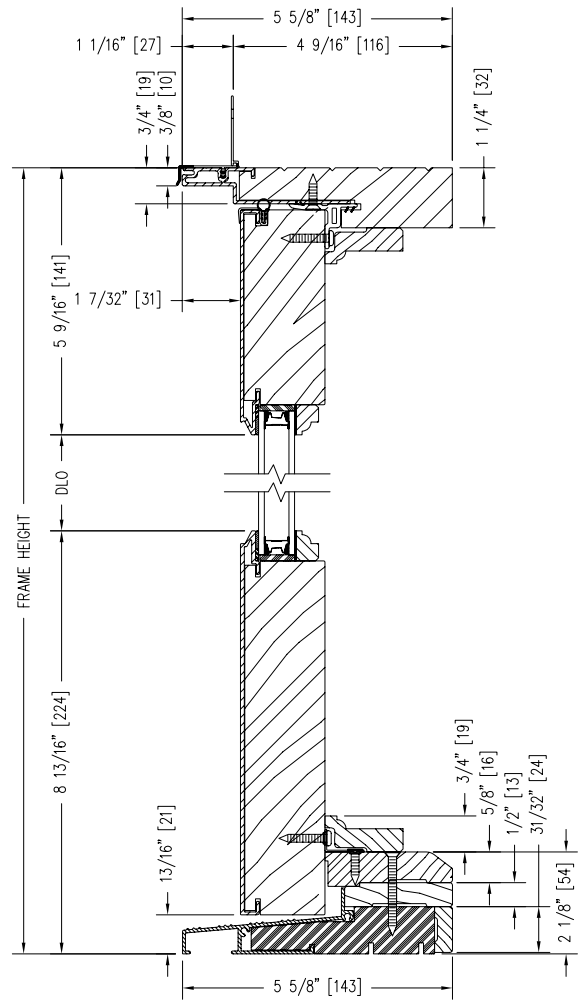


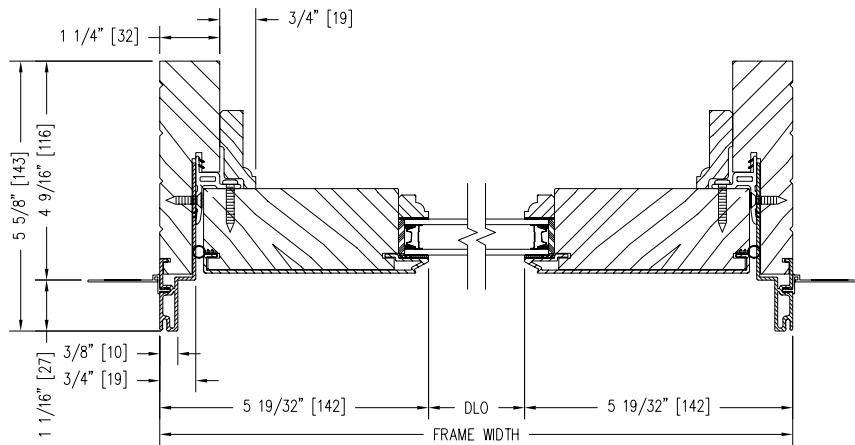
## OUTSWING SIDELITE SHOWN WITH SP1 PANEL



**STANDARD SILL**



**ADA SILL**



**Notes:**

Dynamically configure section details to your specific needs by going to [EagleWindow.com](http://EagleWindow.com), select Wintelligence.  
Eagle Window & Door reserves the right to change the specifications without notice.

DRAWING # AD3041  
SCALE: 3"=1'-0"  
REVISION: 2/2/09

