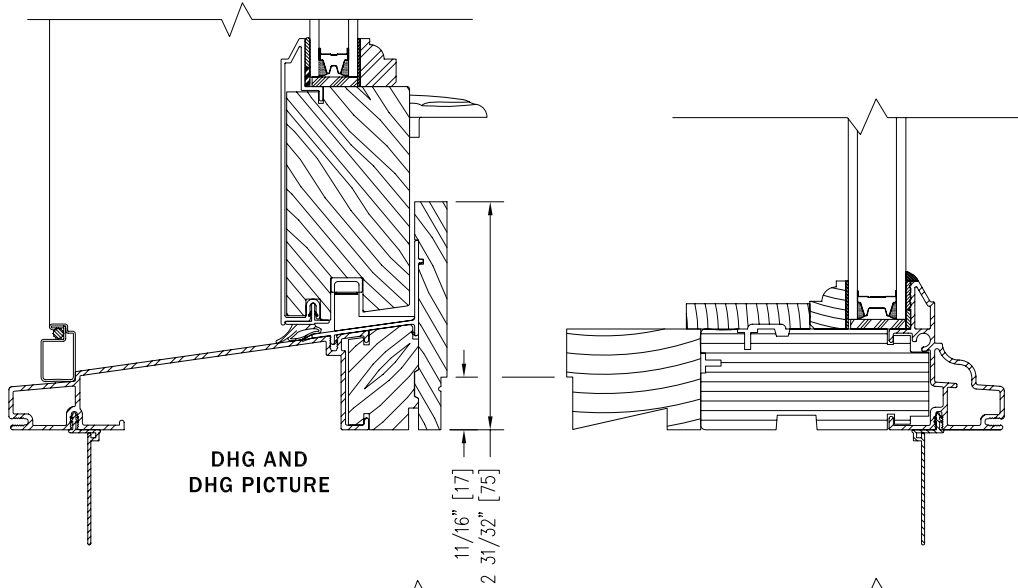
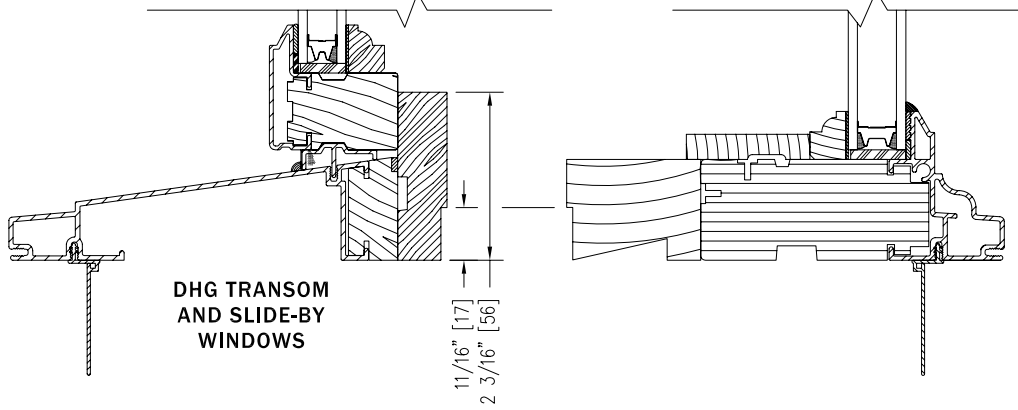


AUX SILL STOP

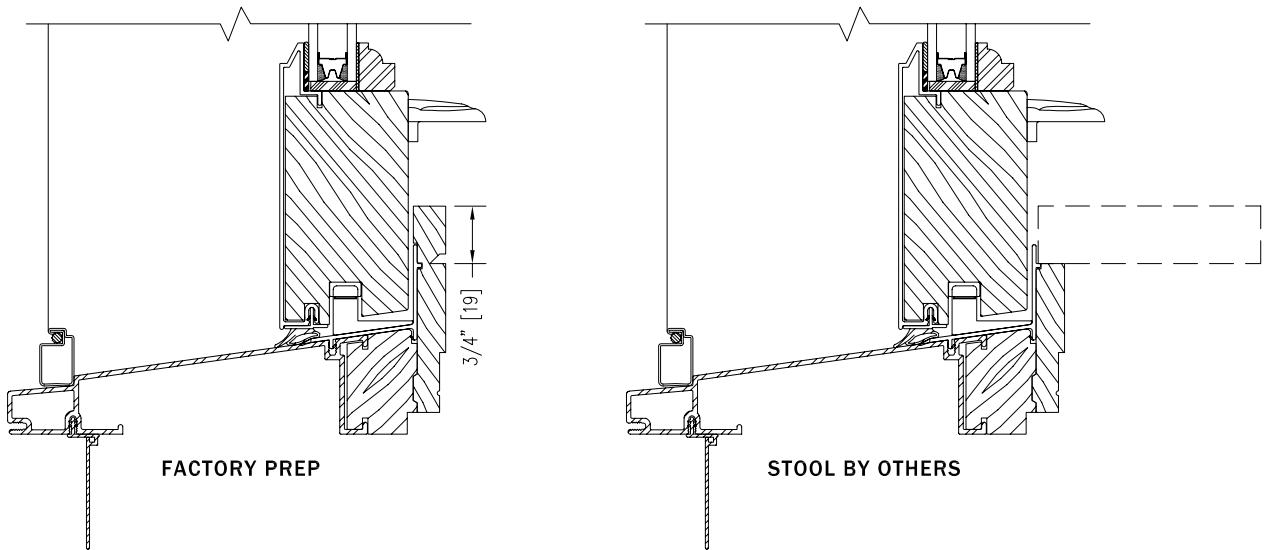


DHG AND
DHG PICTURE



DHG TRANSOM
AND SLIDE-BY
WINDOWS

PREP FOR STOOL



FACTORY PREP

STOOL BY OTHERS

Notes:

Dynamically configure section details to your specific needs by going to EagleWindow.com, select Wintelligence. Eagle Window & Door reserves the right to change the specifications without notice.

DRAWING # AD3072
SCALE: NONE
REVISION: 2/2/09

