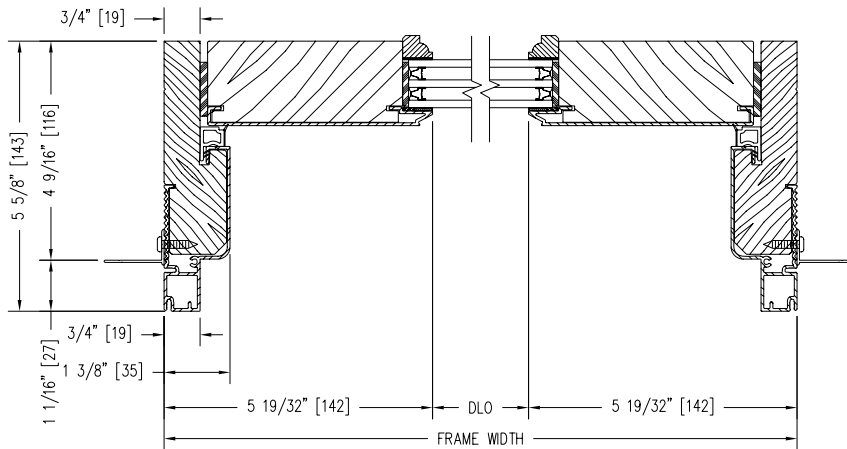
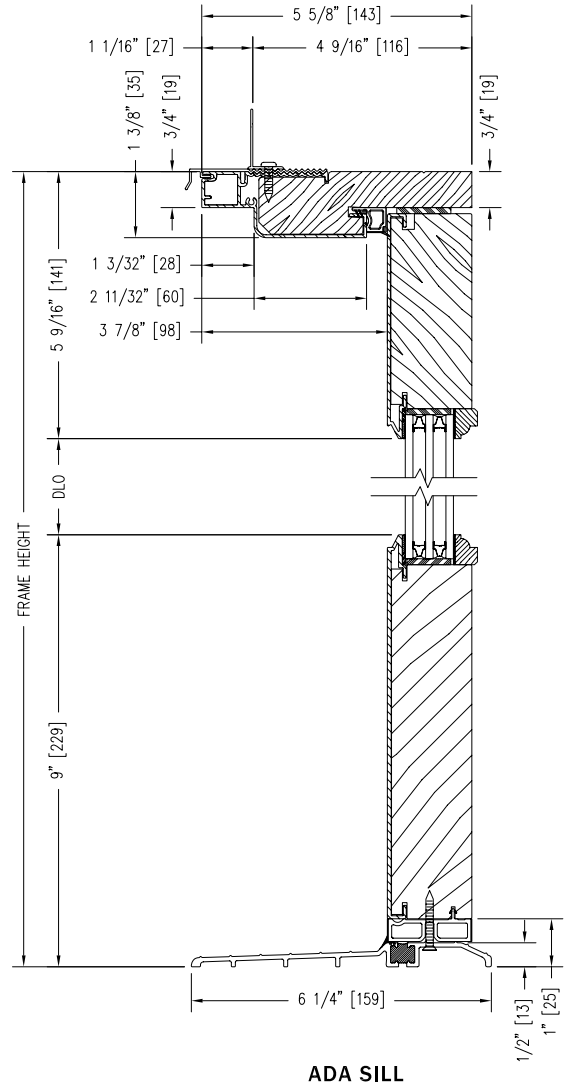
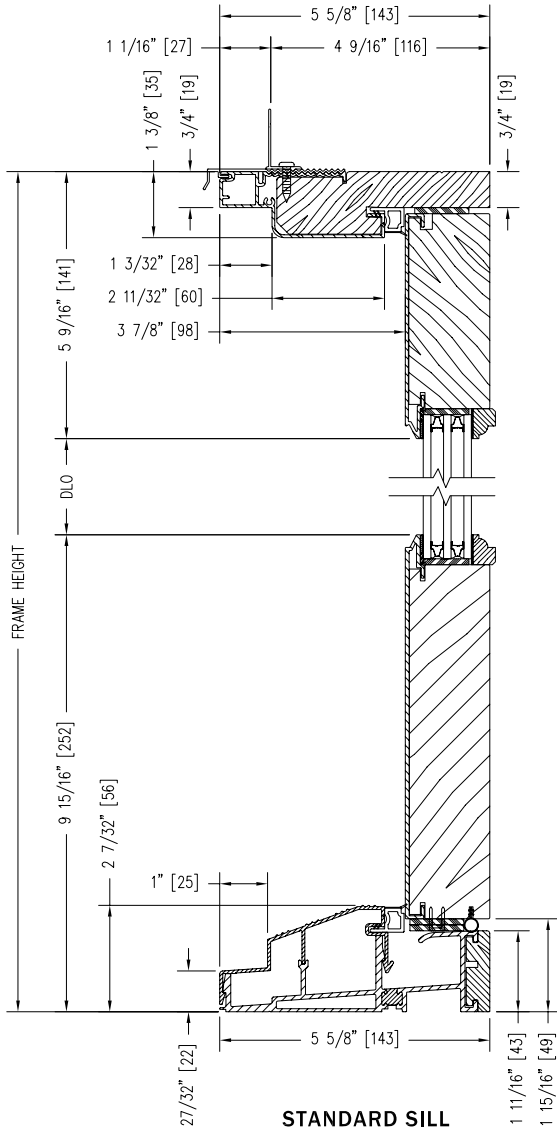


**TRIPLE INSULATED GLASS  
INSWING SIDELITE (4 9/16")  
SHOWN WITH SP1 PANEL**



**Notes:**

Dynamically configure section details to your specific needs by going to [EagleWindow.com](http://EagleWindow.com), select Wintelligence.  
Eagle Window & Door reserves the right to change the specifications without notice.

DRAWING # AD3172  
SCALE: 3"-1'-0"  
REVISION: 4/14/09

