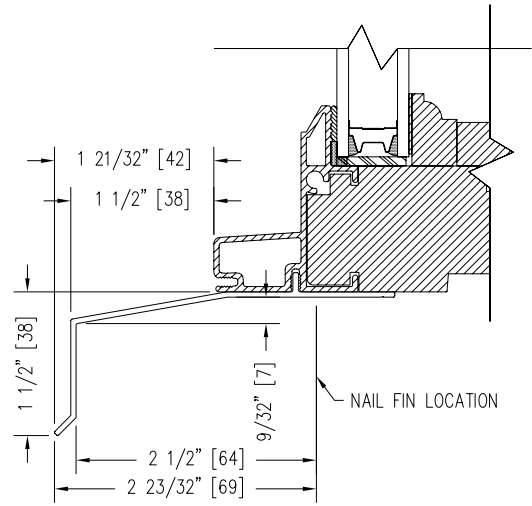
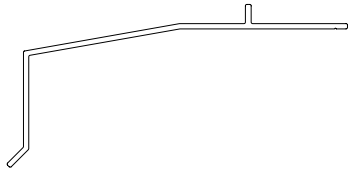
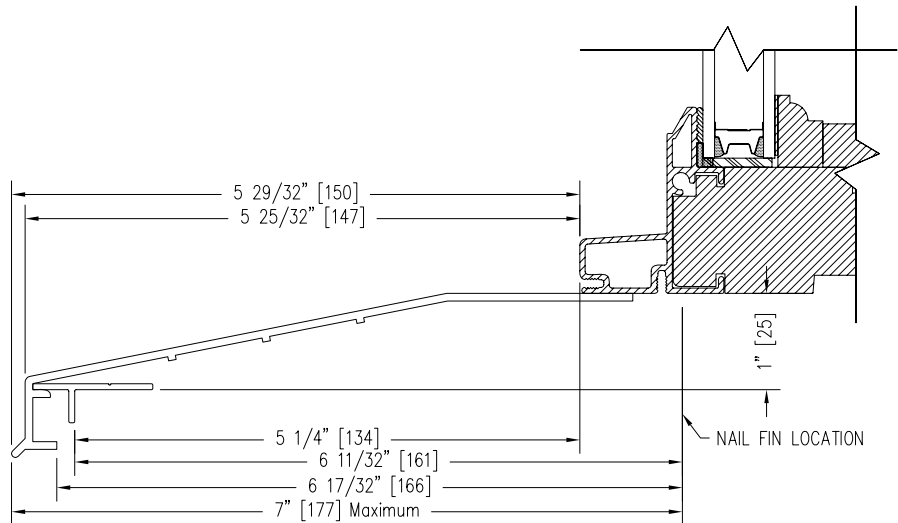
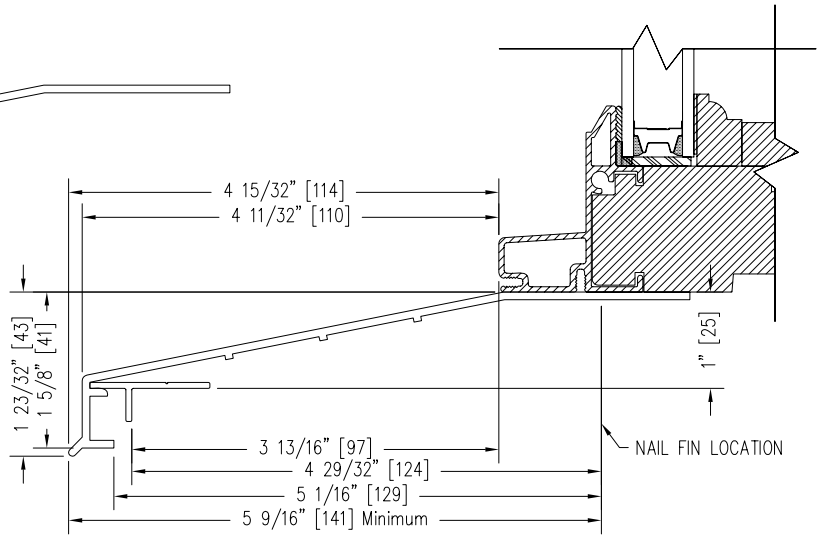
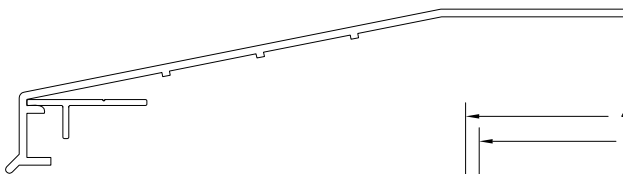


SUB-SILL OPTIONS

ALTERNATE SUB-SILL



EXTRUDED SUB-SILL
W/ T CLIP



Notes:

Dynamically configure section details to your specific needs by going to EagleWindow.com, select Wintelligence.
Eagle Window & Door reserves the right to change the specifications without notice.

DRAWING # AD3068
SCALE: 6"=1'-0"
REVISION: 2/2/09

