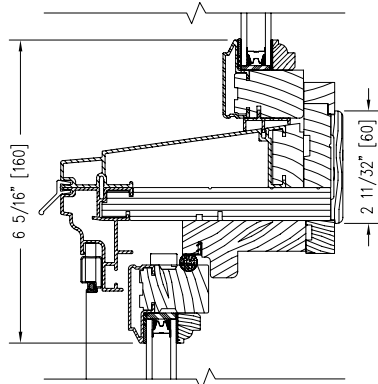
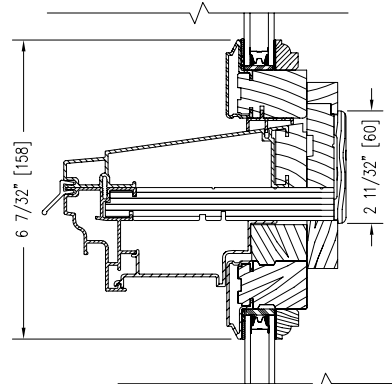


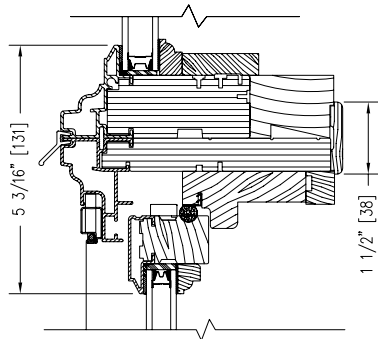
DOUBLE HUNG HORIZONTAL COMBINATION FACTORY MULLS



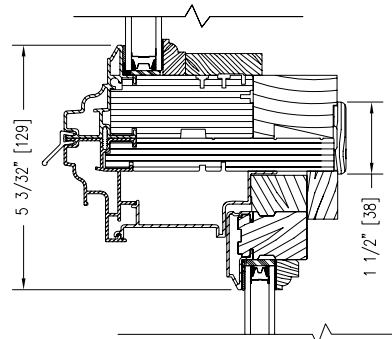
DOUBLE HUNG TRANSOM OVER
DOUBLE HUNG



DOUBLE HUNG TRANSOM OVER
DOUBLE HUNG PICTURE



DOUBLE HUNG AUXILIARY OVER
DOUBLE HUNG



DOUBLE HUNG AUXILIARY OVER
DOUBLE HUNG PICTURE

Notes:

Dynamically configure section details to your specific needs by going to EagleWindow.com, select Wintelligence. Eagle Window & Door reserves the right to change the specifications without notice.

DRAWING # AD3114
SCALE: 3"-1'-0"
REVISION: 2/2/09

