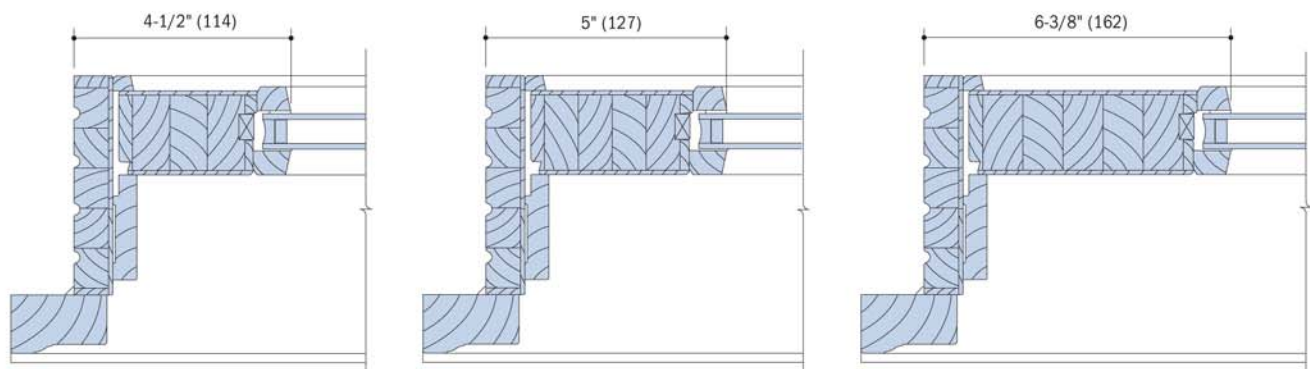
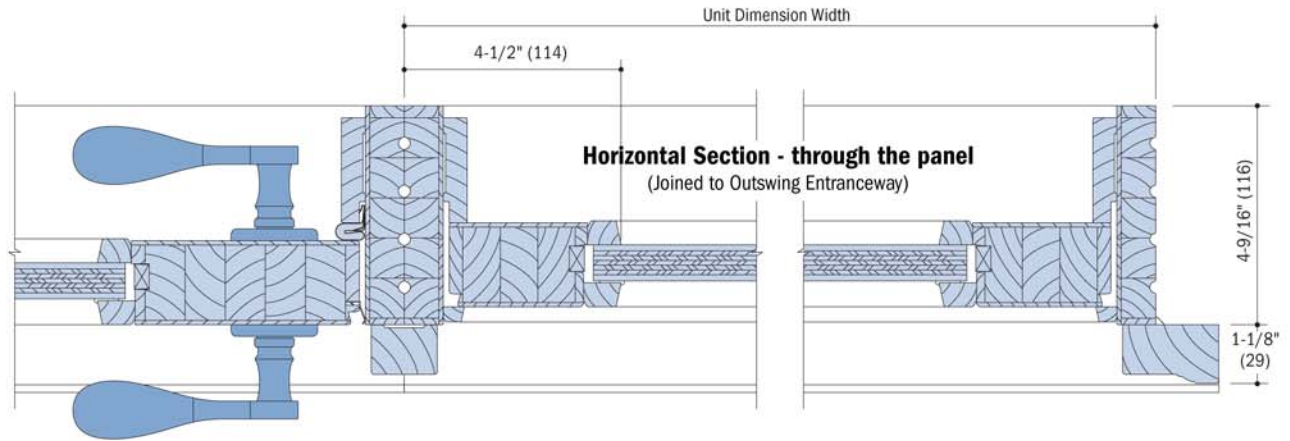
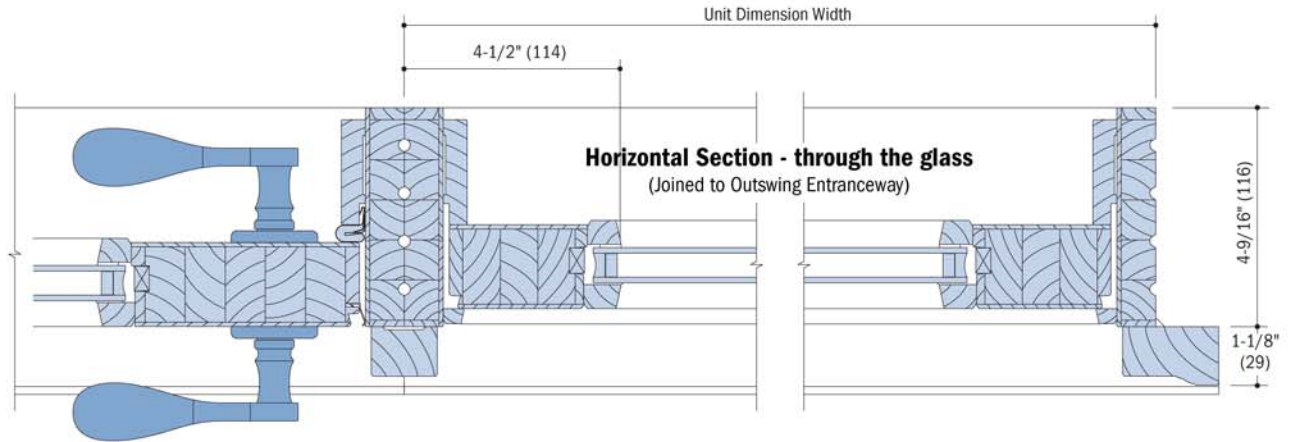
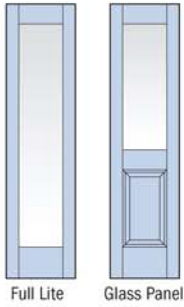


NOTES

Dimensions in parenthesis are millimeters.
Drawings are not to scale.



Width Options

NOTES

Dimensions in parenthesis are millimeters.
Drawings are not to scale.