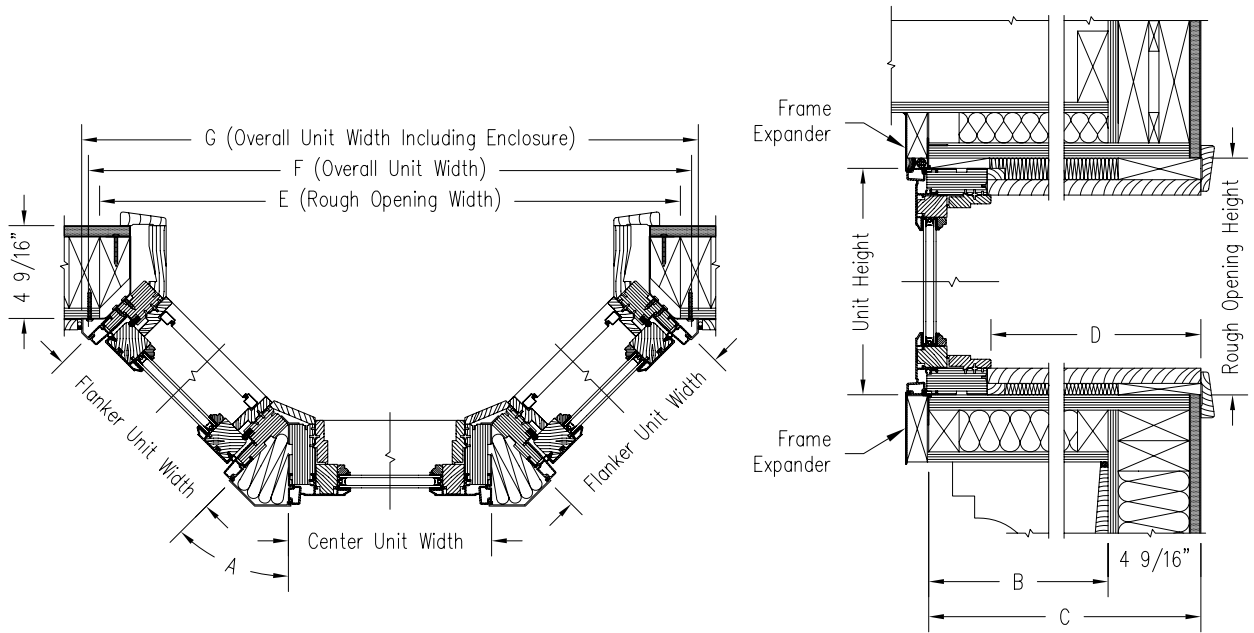


## 45° CASEMENT BAY



Unit Height	Rough Opening Height (Ft.-In.)
3-0	3-0 1/2
3-4	3-4 1/2
4-0	4-0 1/2
4-6	4-6 1/2
5-0	5-0 1/2
5-6	5-6 1/2
6-0	6-0 1/2

Flanker Unit Width	Center Unit Width	Flanker Unit Width	Wall Thickness (inches)	A Angle	B Projection (Ft.-In.)	C Projection (Ft.-In.)	D Seating Depth (Ft.-In.)	E Rough Opening Width (Ft.-In.)
1-5 3/4	3-0	1-5 3/4	4 9/16	45°	1-1 9/16	1-6 1/32	1-3 1/16	5-5 9/16
1-5 3/4	3-4	1-5 3/4	4 9/16	45°	1-1 9/16	1-6 1/32	1-3 1/16	5-9 9/16
1-5 3/4	4-0	1-5 3/4	4 9/16	45°	1-1 9/16	1-6 1/32	1-3 1/16	6-5 9/16
1-5 3/4	5-0	1-5 3/4	4 9/16	45°	1-1 9/16	1-6 1/32	1-3 1/16	7-5 9/16
1-5 3/4	6-0	1-5 3/4	4 9/16	45°	1-1 9/16	1-6 1/32	1-3 1/16	8-5 9/16
1-8	3-0	1-8	4 9/16	45°	1-3 5/32	1-7 29/32	1-4 21/32	5-8 3/4
1-8	3-4	1-8	4 9/16	45°	1-3 5/32	1-7 29/32	1-4 21/32	6-0 3/4
1-8	4-0	1-8	4 9/16	45°	1-3 5/32	1-7 29/32	1-4 21/32	6-8 3/4
1-8	5-0	1-8	4 9/16	45°	1-3 5/32	1-7 29/32	1-4 21/32	7-8 3/4
1-8	6-0	1-8	4 9/16	45°	1-3 5/32	1-7 29/32	1-4 21/32	8-8 3/4
2-0	3-0	2-0	4 9/16	45°	1-6	1-10 17/32	1-7 15/32	6-2 3/8
2-0	3-4	2-0	4 9/16	45°	1-6	1-10 17/32	1-7 15/32	6-6 3/8
2-0	4-0	2-0	4 9/16	45°	1-6	1-10 17/32	1-7 15/32	7-2 3/8
2-0	5-0	2-0	4 9/16	45°	1-6	1-10 17/32	1-7 15/32	8-2 3/8
2-0	6-0	2-0	4 9/16	45°	1-6	1-10 17/32	1-7 15/32	9-2 3/8
2-4	3-0	2-4	4 9/16	45°	1-8 13/16	2-1 3/8	1-10 5/16	6-8
2-4	3-4	2-4	4 9/16	45°	1-8 13/16	2-1 3/8	1-10 5/16	7-0
2-4	4-0	2-4	4 9/16	45°	1-8 13/16	2-1 3/8	1-10 5/16	7-8
2-4	5-0	2-4	4 9/16	45°	1-8 13/16	2-1 3/8	1-10 5/16	8-8
2-4	6-0	2-4	4 9/16	45°	1-8 13/16	2-1 3/8	1-10 5/16	9-8
2-6	3-0	2-6	4 9/16	45°	1-10 7/32	2-2 25/32	1-11 23/32	6-10 7/8
2-6	3-4	2-6	4 9/16	45°	1-10 7/32	2-2 25/32	1-11 23/32	7-2 7/8
2-6	4-0	2-6	4 9/16	45°	1-10 7/32	2-2 25/32	1-11 23/32	7-10 7/8
2-6	5-0	2-6	4 9/16	45°	1-10 7/32	2-2 25/32	1-11 23/32	8-10 7/8
2-6	6-0	2-6	4 9/16	45°	1-10 7/32	2-2 25/32	1-11 23/32	9-10 7/8

**Notes:**

Dynamically configure section details to your specific needs by going to [EagleWindow.com](http://EagleWindow.com), select Wintelligence. Eagle Window & Door reserves the right to change the specifications without notice.

DRAWING # AD3050  
SCALE: NONE  
REVISION: 2/2/09

