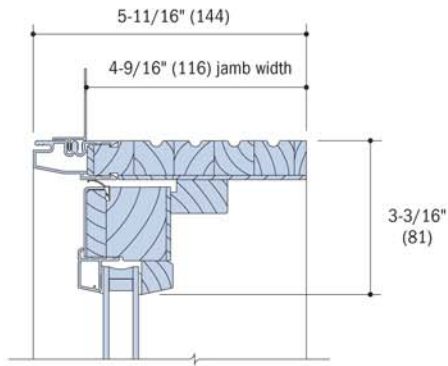


Horizontal Section

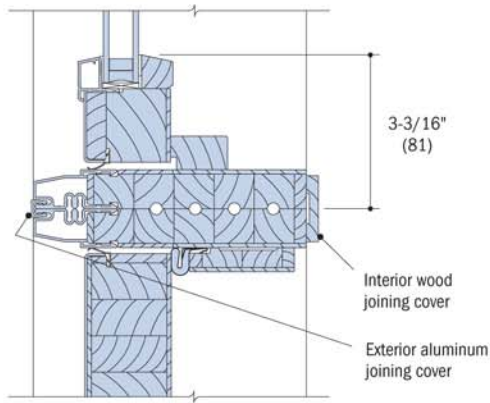


NOTES

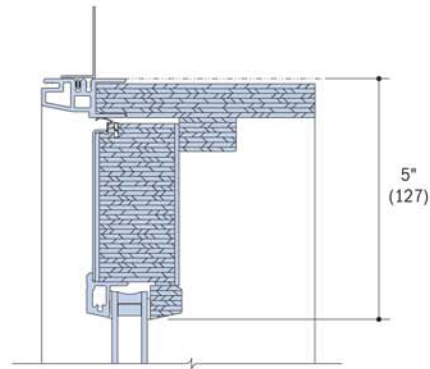
Dimensions in parenthesis are millimeters.
Drawings are not to scale.



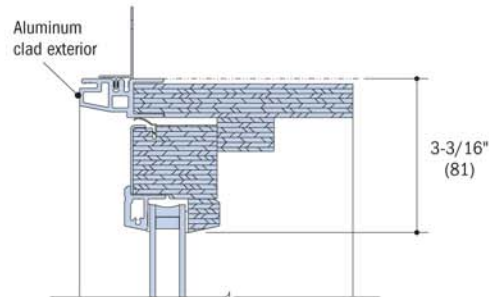
Lineal Transom Head



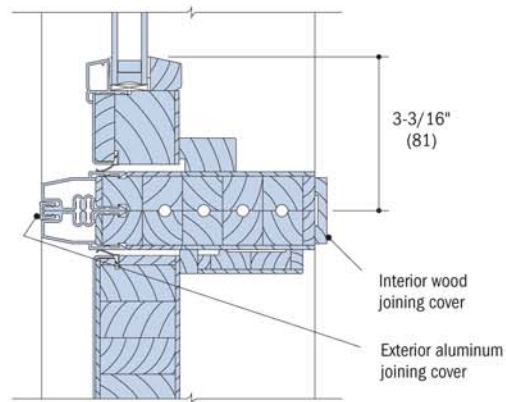
**Transom Sill
Operating Door
Vertical Detail**



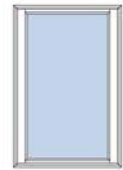
Circle Top Transom Head



Archtop Transom Head



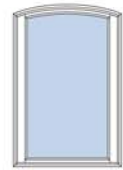
**Transom Sill - Fixed Sidelite
Vertical Detail**



Rectangle



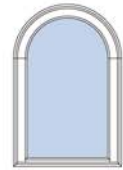
Trapezoid



Archtop



Unequal Leg Archtop



Extended Half Circle



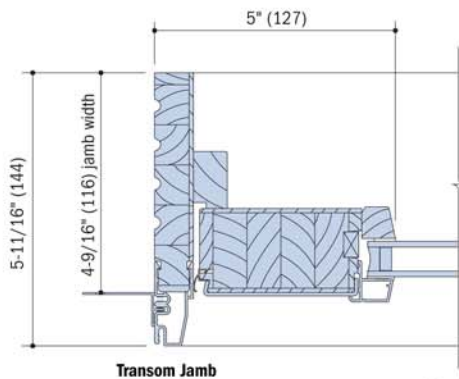
Extended Half Circle Flanker



Quarter Round

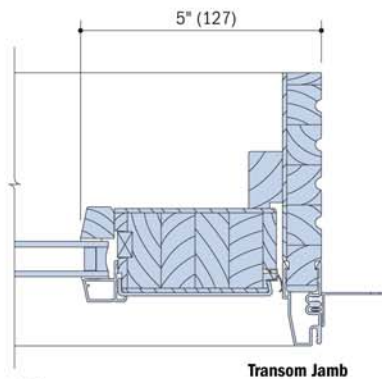


Circle Top



Transom Jamb

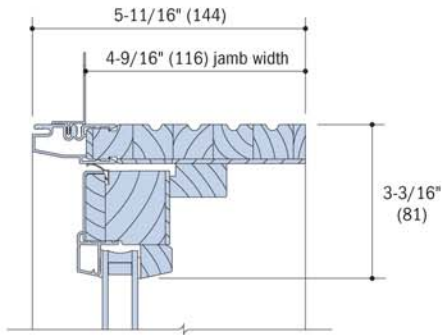
Horizontal Detail



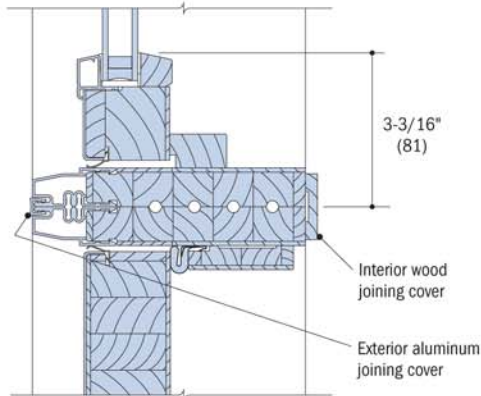
Transom Jamb

NOTES

Dimensions in parenthesis are millimeters.
Drawings are not to scale.

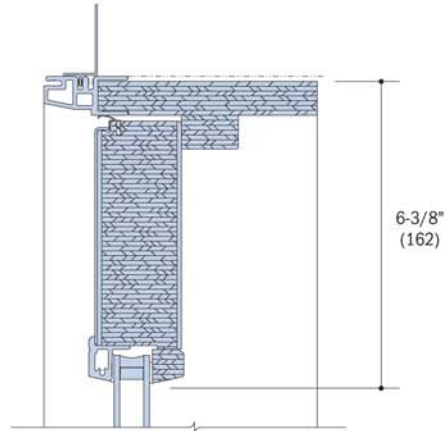


Lineal Transom Head

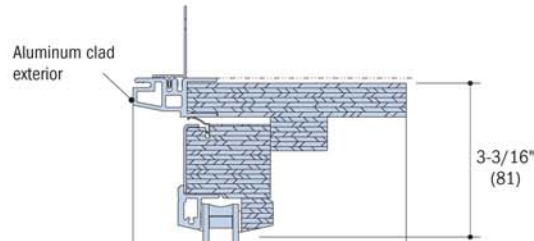


Transom Sill - Operating Door

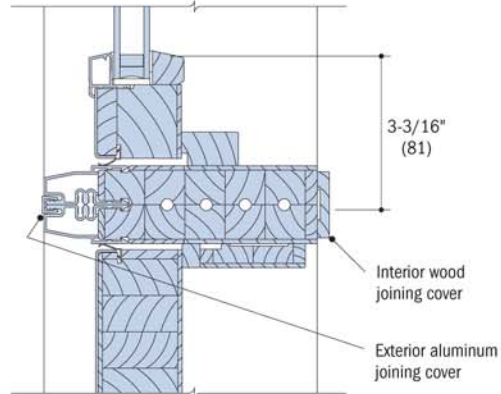
Vertical Detail



Circle Top Transom Head

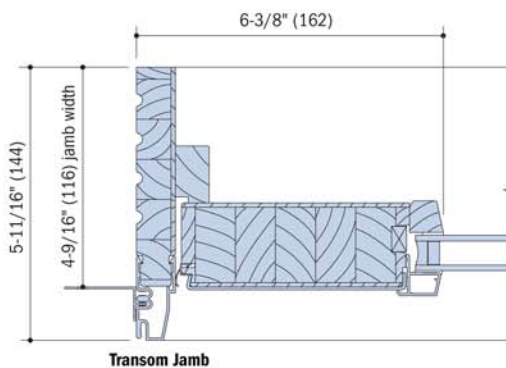


Archtop Transom Head

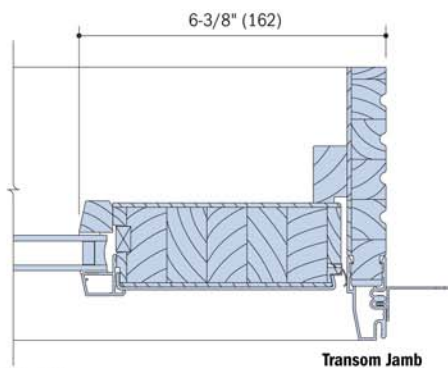


Transom Sill - Fixed Sidelite

Vertical Detail

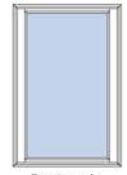


Transom Jamb



Transom Jamb

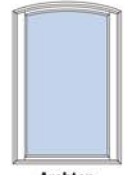
Horizontal Section



Rectangle



Trapezoid



Archtop



Unequal Leg Archtop



Extended Half Circle



Extended Half Circle Flanker



Quarter Round



Circle Top

NOTES

Dimensions in parenthesis are millimeters.
Drawings are not to scale.