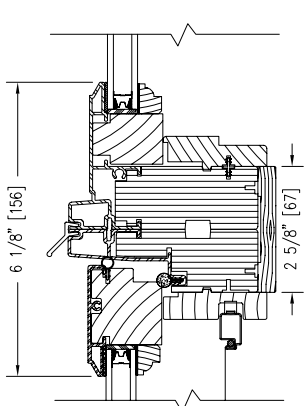
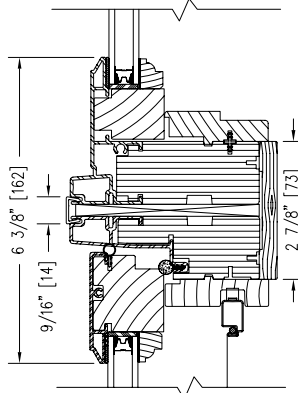


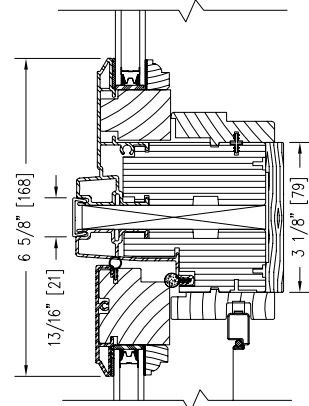
# CASEMENT HORIZONTAL FACTORY MULLS



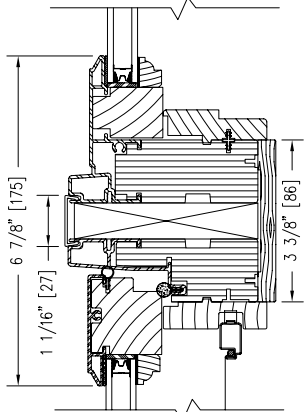
DRIP MULL



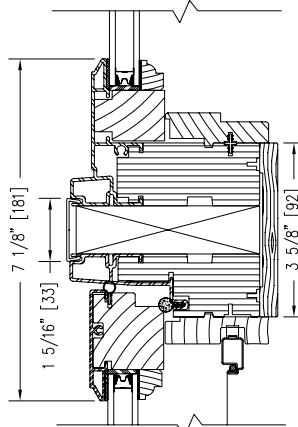
1/4" MULL



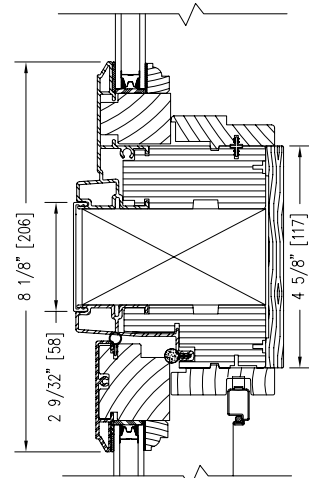
1/2" MULL



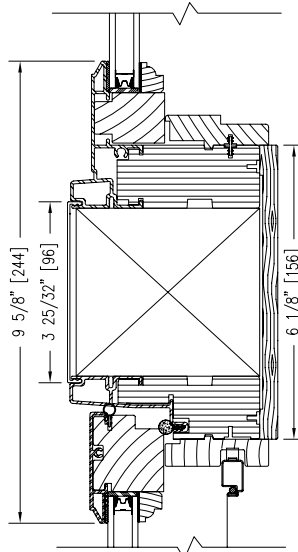
3/4" MULL



1" MULL



2" MULL



3 1/2" MULL

**Notes:**

Dynamically configure section details to your specific needs by going to [EagleWindow.com](http://EagleWindow.com), select Wintelligence. Eagle Window & Door reserves the right to change the specifications without notice.

DRAWING # AD3095  
SCALE: 3"=1'-0"  
REVISION: 2/2/09

